



**BRASS CABLE GLAND KITS
& ACCESSORIES**

History in Engineering eXcellence

LIST OF TEST REPORTS & CERTIFICATIONS

BRASS CABLE GLANDS				
S. NO	PRODUCT	SIZE	STANDARD / TEST	CERTIFYING BODY
1	HA2F & HE1FW TYPE	16 S TO 90 L	ATEX	TECHNICKA INSPEKCIA, a.s., SLOVAKIA
2	HBW SERIES & HCW SERIES	16 S TO 90 L	BS 6121-1:2005	EUROTECH, U.K.
3	HA2 SERIES	16 S TO 100 L	BS EN 62444:2013	EUROTECH, U.K.
4	WEATHERPROOF DOUBLE COMPRESSION TYPE - HCGW SERIES (IP 65)	M12 TO M110	IS/IEC 60529:2001	CENTRAL INSTITUTE OF MINING AND FUEL RESEARCH
5	FLAMEPROOF CUM WEATHERPROOF DOUBLE COMPRESSION TYPE - HCGF SERIES - GAS GROUP : II B AND ZONE 1 & 2 ATMOSPHERE ONLY	M12 TO M100	IS/IEC 60079-1:2007	CENTRAL INSTITUTE OF MINING AND FUEL RESEARCH
6	FLAMEPROOF CUM WEATHERPROOF HCGF SERIES - GAS GROUP : I ATMOSPHERE ONLY	M12 TO M110	IS/IEC 60079-1:2007	CENTRAL INSTITUTE OF MINING AND FUEL RESEARCH
7	IP68 GLANDS HIP	20 MM	AS 1939 : 1990	REGIONAL TESTING CENTRE
8	FLAMEPROOF/ WEATHERPROOF REDUCER - ZONE 1 & 2 AND GAS GROUP : II C ATMOSPHERE ONLY	25X20 TO 75X63	IS/IEC 60079-1:2007 / IS/IEC 60529: 2001	CENTRAL INSTITUTE OF MINING AND FUEL RESEARCH
9	FLAMEPROOF/ WEATHERPROOF STOPPING PLUG (IP 66) - HCS SERIES	M20 TO M75	IS/IEC 60079-1:2007 / IS/IEC 60529: 2001	CENTRAL INSTITUTE OF MINING AND FUEL RESEARCH
10	WEATHERPROOF SINGLE COMPRESSION HEAVY DUTY (SIBG) (IP 65)	M16 X 1.5 TO M125 X 1.5	IS/IEC 60529:2001	CENTRAL INSTITUTE OF MINING AND FUEL RESEARCH
11	FLAMEPROOF/ WEATHERPROOF JUNCTION BOX - JBI 75 & JBI 32 (IP 55)	GROSS 18 Ltrs & NET 14 Ltrs	IS/IEC 60079-0 : 2004 / 60079-1:2007 / 60529:2001	CENTRAL INSTITUTE OF MINING AND FUEL RESEARCH
12	FLAMEPROOF CUM WEATHERPROOF DOUBLE COMPRESSION TYPE - HCGF SERIES - GAS GROUP : II B AND ZONE 1 & 2 ATMOSPHERE ONLY	M12 TO M100	IS/IEC 60079-1:2007	BUREAU OF INDIAN STANDARDS

TECHNICAL DATA

General Specification : BS 6121 - 1 : 2005

Materials

- Glands - Bodies, Caps & Rings: Brass
- Seals - Nitrile rubber
- Shrouds/Sleeves - Black Poly Vinyl Chloride (PVC)
- Earth Tag - Natural Brass
- Locknut - Natural Brass/Galvanised
- Finish - Natural Brass / Nickel Plated
- Entry Thread - Iso Metric (other threads available on request)

GLAND SELECTION CHART

Cable Glands perform to the requirement of BS 6121-1 : 2005

For use with PVC, SWA, PVC 600/1000 cables to BS 6346 :1997

600/1000V Copper Conductor PVC insulated with Steel Wire Armoured Cable

Cable conductor Size		Number of Cores												
Nom. Area mm ²	Neutral	1	2	3	3½	4	5	7	10	12	19	27	37	48
1.5	-	16S	20/16	20S	-	20S	20	20	20	25S	25	25	32	32
2.5	-	16S	20S	20S	-	20	20	20	25S	25	25	32	40S	40
4	-	16L	20	20	-	20	20	25S	25S	25	32S	32	40S	-
6	-	20S	20	20	-	20								
10	-	20S	25S	25S	-	25S								
16	-	20	25S	25S	-	25								
25	16	20	25S	25	25	25								
-	-	-	25	25	-	32S								
35	16	20	25	32S	32S	32								
-	-	-	25	32	-	32								
50	25	25S	32S	32	32	40S								
70	35	25	32	40S	40	40								
95	50	25	40S	40	50S	50S								
120	70	25	40	50S	50S	50								
150	70	32S	40	50S	50S	63S								
185	95	32	50S	50	63S	63S								
240	120	40S	50	63S	63	63								
300	150	40	63S	63	75S	75S								
300	185	40	63S	-	75	75								
400	185	50S	63	75S	75	90S								
500	-	50	-	75	90	90								
630	-	50	-	-	-	-								
800	-	63S	-	-	-	-								
1000	-	63	-	-	-	-								

BW CABLE GLANDS (4 PART)

Application : For use with armoured or braided cables, secures armouring & provides electrical continuity between armour & gland entry component mainly used in dry and indoor conditions.

Design Features : Compliant to BS 6121-1 : 2005, BS EN 62444 : 2013, 3 part armour lock with cone and lock ring provided for additional grip to the armour.

Ingress Protection : IP3X

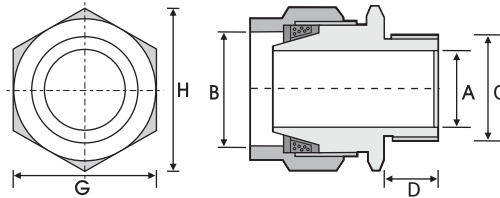
Material : Brass

Plating : Nickel, Chrome on request .

Accessories : Brass Earth tag , PVC Shroud.

Parts of Glands :

1. Brass Check Nut
2. Brass Gland Body
3. Brass Lock Ring
4. Brass Compression Nut



Size	Cable overall Dia (mm)		A Dia	B Dia	C Nipple Entry Thread	D Length	G A/F	H A/C	Product Code
	From	To	mm	mm	mm	mm	mm	mm	
20S	11.50	16.00	12.00	17.00	M20 X 1.5	9.00	22.00	24.00	HBW - 20S
20L	14.00	20.00	14.50	20.00	M20 X 1.5	9.00	24.00	26.50	HBW - 20L
25S	19.00	24.00	18.50	25.00	M25 X 1.5	9.00	30.50	34.00	HBW - 25S
25L	20.00	26.00	20.50	26.00	M25 X 1.5	9.00	32.00	35.50	HBW - 25L
32S	24.00	30.00	27.50	34.00	M32 X 1.5	9.00	40.00	44.00	HBW - 32S
32L	26.00	33.00	27.50	34.00	M32 X 1.5	9.00	40.00	44.00	HBW - 32L
40S	30.00	37.00	31.50	39.00	M40 X 1.5	13.00	45.50	50.00	HBW - 40S
40L	32.00	41.00	33.00	42.00	M40 X 1.5	13.00	49.50	53.50	HBW - 40L
50S	40.00	47.00	41.00	49.00	M50 X 1.5	13.00	56.00	63.00	HBW - 50S
50L	44.00	52.00	44.00	54.50	M50 X 1.5	13.00	61.00	68.50	HBW - 50L
63S	51.00	60.00	51.00	61.50	M63 X 1.5	13.00	70.00	76.50	HBW - 63S
63L	55.00	66.00	56.00	67.00	M63 X 1.5	13.00	74.50	83.00	HBW - 63L
75S	62.00	72.00	63.00	73.00	M75 X 1.5	13.00	83.50	93.00	HBW - 75S
75L	67.00	78.00	68.00	79.50	M75 X 1.5	13.00	89.00	98.00	HBW - 75L
90S	74.00	84.00	78.00	88.50	M90 X 1.5	17.50	101.00	114.00	HBW - 90S
90L	79.00	88.00	79.50	88.50	M90 X 1.5	17.50	102.00	114.50	HBW - 90L

BW CABLE GLAND (2 PART)

Similar In application and design to the BW (3 part) Gland. But 2 part armoured lock. Knurled lock produces a low resistance earth clip.



CW CABLE GLANDS (4 PART)

Application : For use with armoured cables, secures armouring & provides electrical continuity between armour & gland entry component. Also provides a seal on the outer sheath of the cable thus ensuring mechanical strength and no damage to cable sheathing. With compression type sealing technique these are used for both indoor and outdoor in all climate conditions as it is weatherproof & waterproof.

Design Features : Compliant to BS 6121-1 : 2005, BS EN 62444 : 2013, 4 part armour lock with cone and lock ring provided for additional grip to the armour.

Ingress Protection : IP 66

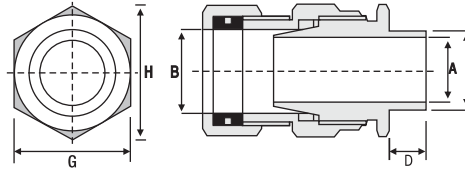
Material : Brass

Plating : Nickel, Chrome on request.

Accessories : Brass Earth tag , PVC Shroud

Parts of Glands :

1. Brass Check Nut
2. Brass Gland Body
3. Brass Armour Ring
4. Brass Middle Body
5. Inner Rubber Seal
6. LD Ring
7. Brass Compression Nut



Size	Cable overall Dia (mm)		A Dia mm	B Dia mm	C Nipple Entry Thread mm	D Length mm	G A/F mm	H A/C mm	Product Code
	From	To							
16S	8.00	11.00	9.00	13.50	M16 X 1.5	10.00	20.00	22.00	HCW - 16S
16L	9.00	12.00	9.00	13.50	M16 X 1.5	10.00	20.00	22.00	HCW - 16L
20S	12.00	15.00	12.60	16.00	M20 X 1.5	10.00	22.00	24.00	HCW - 20S
20L	14.00	20.00	14.00	20.00	M20 X 1.5	10.00	26.00	28.70	HCW - 20L
25S	18.50	23.00	18.70	24.50	M25 X 1.5	10.00	32.00	35.50	HCW - 25S
25L	20.50	26.50	20.75	27.50	M25 X 1.5	11.00	35.00	38.50	HCW - 25L
32S	24.00	30.00	27.00	34.00	M32 X 1.5	11.00	41.50	45.50	HCW - 32S
32L	27.00	33.00	27.00	34.00	M32 X 1.5	11.00	41.50	45.50	HCW - 32L
40S	32.50	38.00	32.50	40.50	M40 X 1.5	13.00	49.50	55.50	HCW - 40S
40L	33.00	40.00	33.50	42.00	M40 X 1.5	13.00	49.50	54.50	HCW - 40L
50S	40.00	47.50	39.75	48.00	M50 X 1.5	13.00	57.00	61.75	HCW - 50S
50L	44.00	52.50	44.50	53.25	M50 X 1.5	13.00	62.00	68.00	HCW - 50L
63S	52.00	57.50	51.00	58.00	M63 X 1.5	14.00	72.00	79.00	HCW - 63S
63L	56.00	62.00	56.00	64.50	M63 X 1.5	14.00	77.00	84.00	HCW - 63L
75S	62.00	70.00	63.00	72.50	M75 X 1.5	14.00	84.00	93.00	HCW - 75S
75L	68.00	77.00	67.75	78.00	M75 X 1.5	15.00	91.00	100.50	HCW - 75L
90S	74.00	86.00	77.50	89.50	M90 X 1.5	17.00	100.00	110.00	HCW - 90S
90L	80.00	88.00	79.00	88.00	M90 X 1.5	17.00	100.00	110.00	HCW - 90L

CW GLAND (3 PART)

Similar In application and design to the CW (4 part) gland. But 2 part armour / earth lock, knurled lock produces a low resistance earth clip.



E1W CABLE GLANDS

Application : For use with all types of SWA extruded bedding cables where it is essential to produce an IP 66 seal on to the outer sheath and also produce an IP 66 or explosion proof seal on the inner sheath. It provides seals to both inner sheath and outer sheath of the cable.

Design Features : Compliant to BS 6121-1 : 2005, BS EN 62444 : 2013, 2 part armour / earth lock, knurled armour lock produces a low resistance earth clip, inner and outer displacement seal, rated at IP 66 in conjunction with entry thread seal.

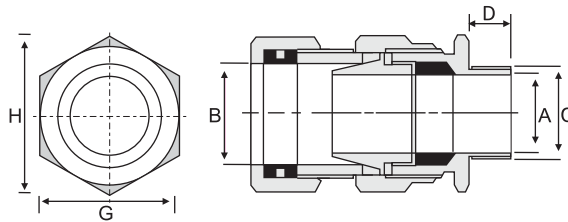
Material : Brass

Plating : Nickel, Chrome on request.

Accessories : Brass Earth tag, PVC Shroud.

Parts of Glands :

1. Brass Check Nut
2. Brass Gland Body
3. Rubber Seal (Inner Sheath)
4. Brass Armour Cone
5. Brass Armour Ring
6. Brass Middle Body
7. Rubber Seal (Outer Sheath)
8. Ld Ring
9. Brass Compression Nut



Size	Cable overall Dia (mm)		A Dia mm	B Dia mm	C Nipple Entry Thread mm	D Length mm	G A/F mm	H A/C mm	Product Code
	From	To							
20S	12.00	16.00	12.00	16.00	M20 X 1.5	10.50	22.00	24.00	HE1W - 20S
20L	14.00	20.00	14.00	20.50	M20 X 1.5	10.50	27.00	30.00	HE1W - 20L
25S	18.00	24.00	18.50	25.00	M25 X 1.5	10.50	32.50	35.00	HE1W - 25S
25L	20.00	27.00	20.00	27.50	M25 X 1.5	10.50	34.50	38.00	HE1W - 25L
32S	24.00	31.00	24.00	31.50	M32 X 1.5	13.00	39.00	43.50	HE1W - 32S
32L	26.00	31.50	26.50	31.50	M32 X 1.5	13.00	41.25	46.25	HE1W - 32L
40S	30.00	38.50	31.50	42.00	M40 X 1.5	15.00	46.50	51.00	HE1W - 40S
40L	32.00	40.50	34.00	42.00	M40 X 1.5	15.00	50.50	56.50	HE1W - 40L
50S	38.00	46.00	40.50	47.00	M50 X 1.5	15.00	57.00	64.00	HE1W - 50S
50L	44.00	53.00	44.00	53.50	M50 X 1.5	15.00	62.00	69.00	HE1W - 50L
63S	50.00	59.00	52.00	60.50	M63 X 1.5	15.00	70.00	79.00	HE1W - 63S
63L	56.00	66.00	56.00	66.00	M63 X 1.5	15.00	79.00	87.00	HE1W - 63L
75S	62.00	72.00	62.00	72.00	M75 X 1.5	15.00	84.00	95.00	HE1W - 75S
75L	68.00	77.00	68.50	77.50	M75 X 1.5	19.00	92.00	102.50	HE1W - 75L
90L	79.00	88.00	80.00	89.00	M90 X 1.5	20.00	105.00	116.00	HE1W - 90L

A1 / A2 CABLE GLANDS

Application : For use with all unarmoured cables with rubber outer sheath. Secures outer sheath of cable. Displacement seal concept makes it suitable for indoor and outdoor application.

Design Features : Outer displacement seal. Compliant to BS 6121-1 : 2005, BS EN 62444 : 2013.

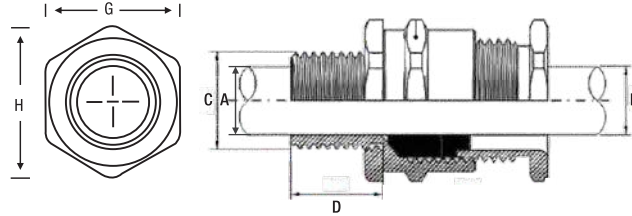
Material : Brass

Ingress Protection : IP 66

Plating : Nickel, Chrome on request.

Parts of Glands

1. Brass Check Nut
2. Brass Gland Body
3. Rubber Inner Seal
4. LD Washer
5. Brass Compression Nut



Size	Cable overall Dia (mm)		A Dia mm	B Dia mm	C Nipple Entry Thread mm	D Length mm	G A/F mm	H A/C mm	Product Code
	From	To							
16S	3.50	8.00	9.25	12.50	M16 X 1.5	10.00	22.00	24.75	HA2 - 16S
16L	3.50	9.00	9.25	12.50	M16 X 1.5	10.00	22.00	24.75	HA2 - 16L
20S	8.00	11.50	12.50	12.50	M20 X 1.5	10.00	22.00	24.75	HA2 - 20S
20L	11.00	14.00	14.75	15.50	M20 X 1.5	10.00	24.00	26.75	HA2 - 20L
25S	12.00	17.50	19.00	20.00	M25 X 1.5	15.00	27.50	30.50	HA2 - 25S
25L	14.00	20.50	20.75	22.00	M25 X 1.5	15.00	30.00	33.00	HA2 - 25L
32S	17.00	22.50	23.00	24.50	M32 X 1.5	15.00	34.75	37.50	HA2 - 32S
32L	19.00	26.50	26.75	28.00	M32 X 1.5	15.00	38.50	42.00	HA2 - 32L
40S	24.00	29.50	32.00	32.50	M40 X 1.5	19.00	42.50	47.50	HA2 - 40S
40L	25.00	33.00	34.50	34.50	M40 X 1.5	19.00	45.50	50.50	HA2 - 40L
50S	32.00	39.00	41.50	41.50	M50 X 1.5	19.00	55.50	61.50	HA2 - 50S
50L	37.00	44.00	45.00	45.50	M50 X 1.5	19.00	61.75	67.50	HA2 - 50L
63S	43.00	50.00	53.00	54.50	M63 X 1.5	19.00	67.25	74.25	HA2 - 63S
63L	48.010	56.00	56.50	56.50	M63 X 1.5	19.00	71.00	78.50	HA2 - 63L
75S	54.00	59.00	62.00	62.00	M75 X 1.5	20.00	77.00	84.50	HA2 - 75S
75L	59.00	67.50	68.00	70.00	M75 X 1.5	20.00	85.50	95.25	HA2 - 75L
90S	66.00	78.00	82.50	82.50	M90 X 1.5	20.00	99.75	111.50	HA2 - 90S
90L	68.00	80.00	82.50	82.50	M90 X 1.5	20.00	99.75	111.50	HA2 - 90L



GLAND KIT

Kit Packing :

- 16 to 100 mm
- 1-Brass Gland
- 1-Black PVC Shroud
- 1-Brass Earhtag



PVC SHROUD

Material : High Grade Poly Vinyl Chloride

Features :

- Provides additional protection & enhances IP rating of the Cable Gland.
- Effective solution to weather and corrosion protection of a Cable Gland.
- Available in same gland size compatible to each size of the cable gland.
- The narrow end of the sleeve is readily cut with a knife, enabling it to be slipped over a wide range of cable diameters and assists ease of installation.



LSF SHROUD

Material : High Grade Poly Vinyl Chloride

Features :

- Provides additional protection & enhances IP rating of the Cable Gland.
- Effective solution to weather and corrosion protection of a Cable Gland.



LOCK NUT

Material : Brass, Aluminium & Galvanized Steel.

Features :

- Used in fastening glands to the gland plate.
- Available in Metric, Imperial, NPT, BSPT, BSP, & PG.

Sizes : 16mm to 75mm

Size mm or inch.	Product Code	Size mm or inch.	Product Code
16mm or 5/8"	HGA LN-16	50mm or 2"	HGA LN-50
20mm or 3/4"	HGA LN-20	63mm or 2.1/2"	HGA LN-63
25mm or 1"	HGA LN-25	75mm or 3"	HGA LN-75
32mm or 1.1/4"	HGA LN-32	90mm or 3.1/2"	HGA LN-90
40mm or 1.1/2"	HGA LN-40		

Aluminium Cable Glands

Material : Aluminium Alloys

BWA Al. Cable Glands

Application

For Dry Indoor use with all types of extruded bending cable and are used for aluminum armoured termination

Size : M20 to M63

CWA Al. Cable Glands

Application

For Indoor/Outdoor use with all types of extruded bending cable and are used for aluminum armoured termination

Size : M20 to M63



EARTHING TAG

Material : Brass, Aluminium & Copper

Features :

- Means of connection or an earth bond around the cable gland.
- Available in various shapes and in all sizes.
- Ensures earth continuity between the electrical equipment & the gland.
- Can be coated or plated as per Customer Specification.



Metric	Product Code	Size	Product Code
M16	HGA ET-16	M50	HGA ET-50
M20	HGA ET-20	M63	HGA ET-63
M25	HGA ET-25	M75	HGA ET-75
M32	HGA ET-32	M80	HGA ET-80
		M90	HGA ET-90
		M100	HGA ET-100

MARINE - USE WATERTIGHT CABLE GLANDS

Material : Brass

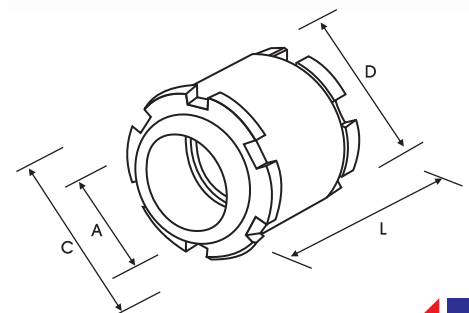
Finish : Nickel Plated

No. of Parts :

Body, Clamping Gland, Lock Nut, Two Brass Washers, Rubber Thread Seal, Rubber Inner Compression Ring.

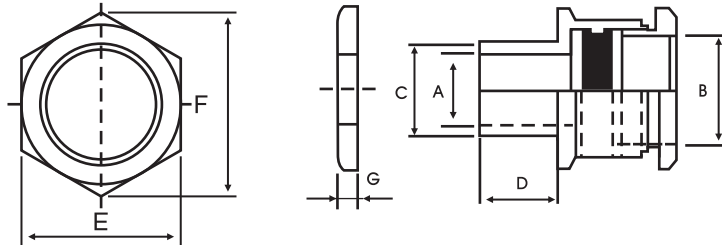
Size Range : 3/8" to 3"

Pipe Thread A	Gland ID in mm	Rubber ID C	Locknut OD in mm D	Gland OD in mm L	Total Length	Product Code
PF 3/8"	10	8	28	22	38	HCG-10
PF 1/2"	15	10	31.5	28	42	HCG-15
PF 3/4"	20	13	37	33.5	46	HCG-20
PF 1"	25	15	45	42	52	HCG-25
PF 1 1/4"	30	24	46	49.5	57	HCG-30
PF 1 1/2"	40	30	63	55	65	HCG-35
PF 1 1/2"	40	34	63	55	65	HCG-40
PF 2"	45	38	77	69	73	HCG-45
PF 2"	50	44	77	69	73	HCG-50
PF 2 1/2"	55	48	96	85	83	HCG-55
PF 2 1/2"	60	54	96	85	83	HCG-60
PF 3"	65	60	112	100	95	HCG-65
PF 3"	70	64	112	100	95	HCG-70



SINGLE COMPRESSION TYPE BRASS CABLE GLAND FOR UNARMoured CABLE

Application : For use with unarmoured cable, Secures and provides electrical continuity between unarmoured cable and gland entry component. Also provides a seal on the outer sheath of the cable thus ensuring no damage to cable sheathing. These are used both indoor and outdoor, in all climatic conditions as it is weatherproof & waterproof.



Suitable Cable Overall Dia.(mm)		Nipple Entry Thread		Cable Gland Dimensions							Product Code
From	To	Inch.	mm	A	B	C	D	E	F	G	
6.00	9.00	1/2"	12	12.00	12.50	15.50	5.00	17.50	20.00	2.50	HC - 3/8"
9.00	12.00	5/8"	16	12.00	15.00	15.50	6.50	20.30	23.50	2.50	HC - 1/2"
12.00	14.00	3/4"	19	15.50	15.50	18.50	6.50	20.30	23.50	2.50	HC - 5/8"
14.00	16.00	3/4"	19	15.00	17.80	18.50	6.50	22.30	25.50	2.50	HC - 3/4"
16.00	18.00	3/4"	19	15.50	20.00	18.50	8.00	24.40	28.00	3.00	HC - 7/8"
18.00	21.50	1"	25	21.50	23.50	25.00	8.00	28.00	32.00	3.00	HC - 1"
21.50	26.00	1 1/8"	28	25.30	28.00	28.00	8.50	33.60	38.60	3.50	HC - 1 1/8"
26.00	31.00	1 1/4"	32	27.70	31.50	32.00	9.00	36.50	42.00	3.50	HC - 1 1/4"
31.00	33.00	1 3/8"	35	31.00	33.70	35.00	9.50	39.50	45.00	4.00	HC - 1 3/8"
34.00	38.00	1 1/2"	38	33.80	39.00	38.00	9.50	44.50	51.30	4.50	HC - 1 1/2"
38.00	42.00	1 3/4"	45	41.00	44.50	45.00	11.00	50.30	58.00	4.00	HC - 1 3/4"
42.00	48.00	2"	50.5	45.70	51.75	50.50	11.50	58.00	67.00	4.50	HC - 2"
48.00	54.00	2 1/4"	57	52.50	57.50	57.00	11.00	64.00	73.50	4.50	HC - 2 1/4"
54.00	60.00	2 1/2"	63	58.00	62.50	63.00	12.00	69.50	80.50	5.00	HC - 2 1/2"
60.00	66.00	2 3/4"	70	63.00	69.00	75.50	14.00	77.00	89.00	4.50	HC - 2 3/4"
66.00	72.00	3"	75	70.00	75.50	81.50	14.00	83.00	95.50	5.00	HC - 3"
72.00	78.00	3 1/4"	82	76.50	81.50	81.50	15.00	90.50	104.50	5.00	HC - 3 1/4"
78.00	84.00	3 1/2"	88	76.00	85.00	81.50	15.00	94.50	109.00	5.00	HC - 3 1/2"
84.00	92.00	4"	100	93.00	101.00	99.00	16.00	111.00	128.00	5.00	HC - 4"

NICKEL PLATED BRASS CABLE GLAND WITH PG THREAD FOR UNARMoured

Material : Brass BS2874 CZ121 Finish : Nickel plated

Application

Outdoor / Indoor for use all braided unarmoured cable fittings.

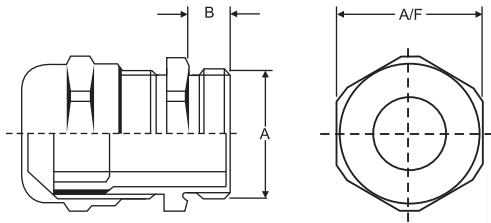
Size in PG

From PG - 7 to PG - 48



Thread	Product Code	Thread	Product Code
PG - 7	HPG - 7	PG - 21	HPG - 21
PG - 9	HPG - 9	PG - 29	HPG - 29
PG - 11	HPG - 11	PG - 36	HPG - 36
PG - 13.5	HPG - 13.5	PG - 42	HPG - 42
PG - 16	HPG - 16	PG - 48	HPG - 48

NICKEL PLATED BRASS GLAND - IP68 RATING - METRIC THREAD



This Metal Gland is a new unique product that is very different from traditional metal glands.

- IP68 rating - the highest possible.
- Superior strain relief
- Nickel plated brass for corrosion protection.
- Incorporates a unique 'camera shutter' principle which protects the cable.
- Fully insulated by plastic insert.
- Neoprene seal for fluid tightness.

The perfect gland for unarmoured PVC, XLPE and other synthetic cables.

Material
 Brass nickel plated
 Polyamide 6 insert - (self extinguishing)
 Neoprene seal - (self extinguishing)
 Neoprene O-Ring - (self extinguishing)

Continuous operating temperature
 -20 to 100°C

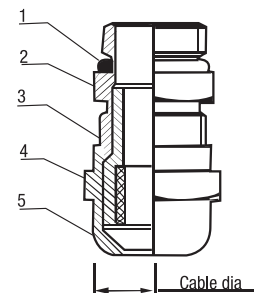
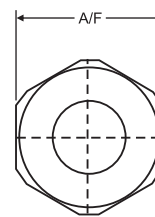
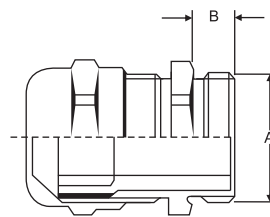
Chemical resistance
 Resistant to normal organic solvents, mineral, animal and vegetable oil and fat, petrol.

Threading
 According to IEC 423, IEC 423A and EN 60423

IP rating
 IP68

Mounting Threads		Min.	Max.	Width	Product Code	Pack Code
A Threads (Metric)	B Leng. (mm)	Cab. Ran. (mm)	Cab. Ran. (mm)	A/F (mm)		
M12X1.5	8.00	3.00	6.00	14.00	HIP 68 - 12	40
M16 X1.5	8.00	4.00	9.00	18.00	HIP 68 - 16	20
M20 X1.5	10.00	7.00	12.00	22.00	HIP 68 - 20	20
M25 X1.5	10.00	9.00	16.00	28.50	HIP 68 - 25	10
M32 X1.5	10.00	12.00	20.00	34.00	HIP 68 - 32	5
M40 X1.5	15.00	19.00	27.00	43.00	HIP 68 - 40	3
M50 X1.5	15.00	24.00	34.00	55.00	HIP 68 - 50	1
M63 X1.5	15.00	38.00	46.00	67.00	HIP 68 - 63	1
M75 X1.5	15.00	52.00	64.00	80.00	HIP 68 - 75	1

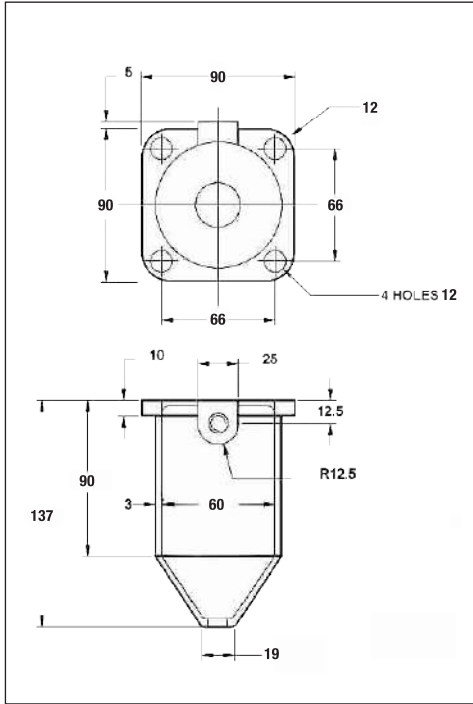
NICKEL PLATED BRASS GLAND - IP68 RATING - PG THREAD



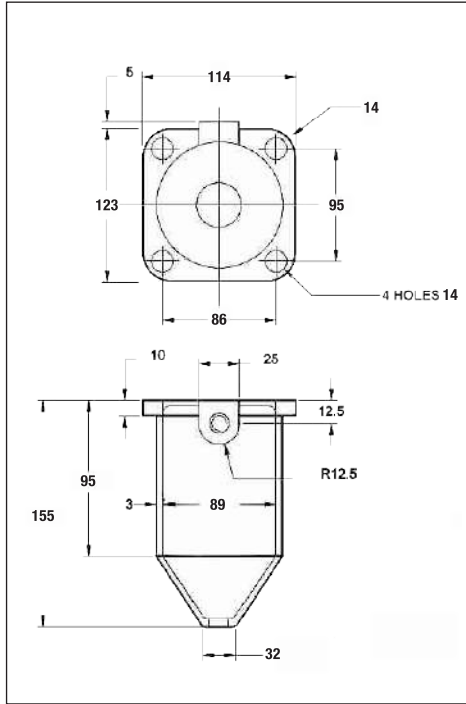
Mounting Threads		Min.	Max.	Width	Product Code
A Threads (PG)	B Leng. (mm)	Cab. Ran. (mm)	Cab. Ran. (mm)	A/F (mm)	
PG-7	8.00	2.00	6.00	14.00	HIP 68- PG7
PG-9	8.00	4.00	8.00	17.00	HIP 68- PG9
PG-11	8.00	4.00	10.00	20.00	HIP 68- PG11
PG-13.50	8.00	9.00	12.00	22.00	HIP 68- PG13.50
PG-16	8.00	10.00	14.00	24.00	HIP 68- PG16
PG-21	8.00	10.00	18.00	30.00	HIP 68- PG21
PG-29	8.00	16.00	25.00	40.00	HIP 68- PG29
PG-36	8.00	26.00	32.00	50.00	HIP 68- PG36
PG-42	10.00	25.00	36.00	57.00	HIP 68- PG42
PG-48	10.00	34.00	43.00	63.00	HIP 68- PG48

WIPING GLAND

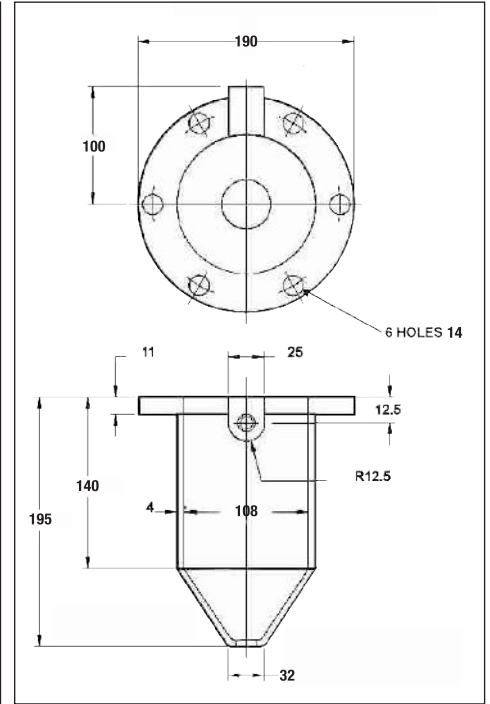
These are made from heavy duty Brass.



HWG - X



HWG - Y



HWG - Z

Other wiping glands are available as per customers drawings & specifications.
 Supplied with MS passivated Bolt & Washer, on request.
 Dimensional Tolerance : +/-5%

EARTH BAR

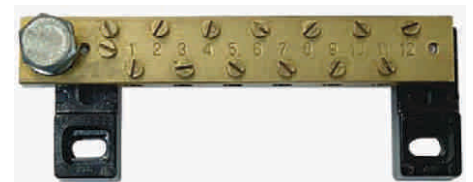
Earth Bar

Earth Bar with Plastic Base

No. of WAYS	Product Code	No. of WAYS	Product Code
6	HNB - 6	6	HEB - 6
12	HNB - 12	12	HEB - 12
18	HNB - 18	18	HEB - 18
24	HNB - 24	24	HEB - 24
30	HNB - 30	30	HEB - 30
36	HNB - 36	36	HEB - 36
42	HNB - 42	42	HEB - 42
48	HNB - 48	48	HEB - 48
60	HNB - 60	60	HEB - 60
72	HNB - 72	72	HEB - 72
84	HNB - 84	84	HEB - 84



Earth Bar



Earth Bar with Plastic Base

HA2F CABLE GLANDS

HA2F type Cable Glands are Single Compression cable glands used for Indoor and Outdoor in the appropriate Hazardous Areas with unarmored cable. The Cable Glands having entry size range from 16 to 90. HA2F cable glands consist of Entry Component, Seal and Sealing Nut. The entry component has min. 8 threads engaged for attachment with equivalent threaded entry hole of an ATEX certified enclosure. They seal on the outer jacket and give environmental protection to IP66. They are suitable for normal industrial environmental of temperature, humidity and vibration.

Cable Glands are made of Brass or Stainless steel 304 assembled with Silicone Sealing Ring (SIL1960) and Nylon Substrate (NYLON) and Nylon Washer (NYLON).

Cable Gland confirm to Group II and III, Category 2 for Zone 1, 2 and category 2 for 21 & 22 for ambient temperature range $-60^{\circ}\text{C} \leq \text{Ta} \leq +125^{\circ}\text{C}$.

Design Features : Outer displacement seal .Compliant to EN 60079-0:2012+A11:2013, EN 60079-1:2014, EN 60079-31:2014.

Ingress Protection : IP 66

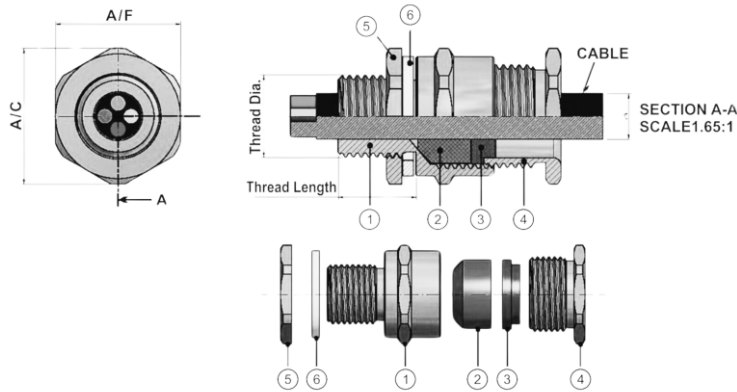
Material : Brass, Steel.

Plating : Nickel, Chrome on request .

Accessories : Following accessories are available from HEX products as optional extras to assist with fixing, sealing and earthing, shroud.

Parts of Glands :

1. Entry Component
2. Sealing Washer
3. Outer Substrate
4. Seal Nut
5. Locknut
6. Thread Seal



Standard Entry Thread		Entry Thread length	Cable Diameter		Body & Seal Nut		Product Code
Metric	NPT		Min	Max	A/F	A/C	
M16X1.5	1/2"	15.00	3.10	8.60	24.00	26.20	HA2F-16
M20X1.5	1/2"	15.00	6.10	11.60	24.00	26.20	HA2F-20S
M20X1.5	1/2"	15.00	6.50	13.90	27.00	29.50	HA2F-20
M25X1.5	3/4"	15.00	11.10	19.90	36.00	39.20	HA2F-25
M32X1.5	1"	15.00	17.00	26.20	41.00	45.00	HA2F-32
M40X1.5	1 1/4"	15.00	22.00	32.10	50.00	55.00	HA2F-40
M50X1.5	1 1/2"	15.00	29.50	38.10	55.00	60.00	HA2F-50S
M50X1.5	2"	15.00	35.60	44.00	60.00	65.00	HA2F-50
M63X1.5	2"	15.00	40.10	49.90	70.00	75.00	HA2F-63S
M63X1.5	2 1/2"	15.00	47.20	55.90	75.00	80.00	HA2F-63
M75X1.5	2 1/2"	15.00	52.80	61.90	80.00	85.00	HA2F-75S
M75X1.5	3"	15.00	59.10	67.90	85.00	90.00	HA2F-75
M90X1.5	3"	18.00	78.60	79.90	110.00	118.00	HA2F-90

HE1FW CABLE GLANDS

HE1FW type Cable Glands are Double Compression cable glands used for Indoor and Outdoor in the appropriate Hazardous Areas with Armored cable. The Cable Glands having entry size range from 16 to 90. HE1FW cable glands consist of Entry Component, Sealing Ring, Cone, Armored Ring, Gland Body, Outer Seal and Sealing Nut. The entry component has min. 8 threads engaged for attachment with equivalent threaded entry hole of ATEX certified enclosure. They seal on the outer jacket and Cable armor will be clamped in the Cone and Armored Ring. Inner Sheath of the cable will be gripped by Sealing Ring with environmental protection IP 66. They are suitable for normal industrial environmental of temperature, humidity and vibration.

Cable Glands are made of Brass or Stainless steel 304 assembled with Silicone Sealing Ring (SIL1960), Cone (Brass or SS), Armored Ring (Brass or SS), Gland Body (Brass or SS), Outer Seal (SIL1960) and Nylon Substrate (NYLON) and Nylon Washer (NYLON).

Design Features : Outer displacement seal .Compliant to EN 60079-0:2012+A11:2013, EN 60079-1:2014, EN 60079-31:2014.

Ingress Protection : IP 66

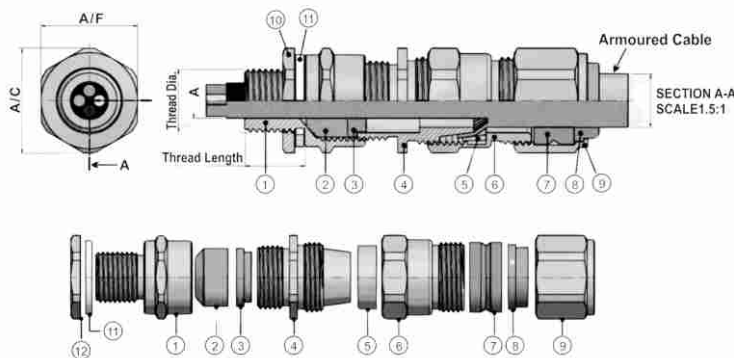
Material : Brass, Steel.

Plating : Nickel, Chrome on request .

Accessories : Following accessories are available from HEX products as optional extras to assist with fixing, sealing and earthing, shroud.

Parts of Glands :

1. Entry Component
2. Sealing Washer
3. Inner Substrate
4. Cone
5. Armour Ring
6. Body
7. Outer Seal
8. Outer Substrate
9. Seal Nut
10. locknut
11. Thread Seal



Standard Entry Thread		Thread length	Cable Diameter				Armour Wire Diameter				Body & Seal Nut		Product Code
Metric	NPT		Min	Max	Min	Max	Min	Max	Min	Max	A/F	A/C	
M16X1.5	1/2"	15.00	3.10	8.60	6.10	13.10	0.90	0.90	0.30	1.00	24.00	26.20	HE1FW-16
M20X1.5	1/2"	15.00	6.10	11.60	9.50	15.90	0.90	1.25	0.30	1.00	24.00	26.20	HE1FW-20S
M20X1.5	1/2"	15.00	6.50	13.90	12.50	20.90	0.90	1.25	0.40	1.00	27.00	29.50	HE1FW-20
M25X1.5	3/4"	15.00	11.10	19.90	18.20	26.20	1.25	1.60	0.40	1.20	36.00	39.20	HE1FW-25
M32X1.5	1"	15.00	17.00	26.20	23.70	33.90	1.60	2.00	0.40	1.20	41.00	45.00	HE1FW-32
M40X1.5	1 1/4"	15.00	22.00	32.10	27.90	40.40	1.60	2.00	0.40	1.60	50.00	55.00	HE1FW-40
M50X1.5	1 1/2"	15.00	29.50	38.10	35.20	46.70	2.00	2.50	0.40	1.60	55.00	60.00	HE1FW-50S
M50X1.5	2"	15.00	35.60	44.00	40.40	53.00	2.00	2.50	0.60	1.60	60.00	65.00	HE1FW-50
M63X1.5	2"	15.00	40.10	49.90	45.60	59.40	2.00	2.50	0.60	1.60	70.00	75.00	HE1FW-63S
M63X1.5	2 1/2"	15.00	47.20	55.90	54.60	65.80	2.00	2.50	0.60	1.60	75.00	80.00	HE1FW-63
M75X1.5	2 1/2"	15.00	52.80	61.90	59.00	72.00	2.00	2.50	0.60	1.60	80.00	85.00	HE1FW-75S
M75X1.5	3"	15.00	59.10	67.90	66.70	78.40	2.50	3.00	0.60	1.60	85.00	90.00	HE1FW-75
M90X1.5	3"	18.00	78.60	79.90	76.20	90.30	3.00	3.50	0.80	1.60	110.00	118.00	HE1FW-90