

- ⊗ Meters ⊗ Energy ⊗ CT's ⊗ Electrical Protection Relays ⊗ APFC ⊗ Time Switch & Relays
- ⊗ Temperature, Humidity, Chiller, PID - Controllers ⊗ SSR ⊗ Digital Process and Timers
- ⊗ Counters & Rate Controllers ⊗ SMPS ⊗ PLCs - MiBRX, FL & Compact ⊗ HMI ⊗ VFD



**THE
PARMA
ADVANTAGE**

www.parmaindia.com



PRICE LIST 2026/27

(w.e.f. April 06th, 2026) Version 1.0

ELECTRICAL AUTOMATION MRP

Page

• Multifunction Meters	03
• Energy Meters	04
• Digital Panel Volt & Ampere Meters	05
• Current Transformers	06
• Automatic Power Factor Controller (APFC)	07
• Line Monitoring	08
• Current & Earth Monitoring	09
• Motor & Pump Protection, Time Switch	10
• Time Relay	11
• Digital Timers	12
• Temperature Controller	13
• Temperature, Chiller & Humidity Controllers	14
• PID Controllers	15
• Process & SSR	16
• Timers & Counters	17
• Rate / RPM & Accessories	18
• DC Power Supplies	19
• MiBRX PLC	20
• MiBRX PLC	21
• MiBRX & FL Series PLC	22
• FL & Fixed IO PLC	23
• Compact PLC & HMI	24
• PLC Accessories	25
• VFD (AC Drive)	26
• Discontinued & Alternate codes	27

MULTIFUNCTION METERS

Applications



Industrial and Commercial Applications



Photovoltaic Systems



Multifunction Meters
[Time & Cost Saving Solution]



Power Control /
Distribution Panels



Multifunction Meters
[Panel & Rail Mount]

& Many More



LCD MULTIFUNCTION METER

- Energy Standard - Class 0.5S & Class 1 as per IEC 62053-22 / 21
- Multifunction parameter monitoring (V, A, PF, Hz, W, Wh, VA, VAh, VARh)
- Max Demand & Import / Export measurement
- %THD & Individual harmonics for V & I up to 31st level over communication
- RS485 Communication MODBUS RTU Protocol
- Pulse output



Product Code	Unit MRP	Description	HSN Code
LCD MULTIFUNCTION METER			
MFM383A *	5745	LCD multifunction meter, 85 to 270V AC	90303390
MFM383A-C-CE	6758	LCD multifunction meter with RS485 communication, 85 to 270V AC	
MFM384-C-CE * #	8449	LCD multifunction meter with RS485 communication, %THD up to 31 st level, 85 to 300V AC	
MFM384-R-C-CE #		Rail mount LCD multifunction meter with RS485 communication, 85 to 270V AC	
MFM384-C-CE-CL05 <i>New</i>	10134	LCD multifunction meter with RS485 communication, %THD up to 31 level, 85 to 300V AC, Accuracy Class 0.5S	
MFM384-C-D-CE-CL05-Plus <i>New</i>	10989	LCD, High end multifunction meter with RS485 communication, Dual source, Accuracy Class 0.5S, Time-stamped measurements, Cyber security, Displacement PF Unbalance current & voltage, Configurable Favourite Page, %THD up to 31 st level, 40 to 300V AC / DC	
MFM386-C-CE-CL02 <i>New</i>	15921	LCD, High-end multifunction meter with RS485 communication, Accuracy Class 0.2S, Datalogging, Inbuilt 2 DI, 2DO & RTD, Displacement PF, Time-stamped measurements, %THD up to 40 th level, 40 to 300V AC / DC	
MFM386-E-CE-CL02 <i>New</i>	21711	LCD, High-end multifunction meter with Ethernet & RS485 communication, Accuracy Class 0.2S, Datalogging, Inbuilt 2 DI, 2DO & RTD, Displacement PF, Time-stamped measurements, %THD up to 40 th level, 40 to 300V AC / DC	
ACCESSORIES - MFM386			
MFMA-SC-DI02-R004 <i>New</i>	2070	Pluggable module with 2 Digital Inputs and 4 Relay Outputs (To use MFM386 as demand controller)	

LED MULTIFUNCTION METER

- Energy Standard - Class 0.5S & Class 1 as per IEC 62053-22 / 21
- Multifunction parameter monitoring (V, A, PF, Hz, W, Wh, VA, VAh, VARh)
- Max Demand & Import / Export measurement
- %THD & Individual harmonics for V & I up to 31st level over communication
- RS485 Communication MODBUS RTU Protocol
- Pulse output



Product Code	Unit MRP	Description	HSN Code
LED MULTIFUNCTION METER			
MFM376-CE	4478	LED multifunction meter with Import / Export energy measurement, 40 to 300V AC / DC	90303390
MFM376-C-CE	6082	LED multifunction meter with RS485 communication, %THD up to 31 st level, 40 to 300V AC / DC	
MFM376-C-D-CE-CL05-Plus <i>New</i>	7339	LED, High end multifunction meter with RS485 communication, Dual source, Accuracy Class 0.5S, Displacement PF, Unbalance current & voltage, Configurable Favourite Page, %THD up to 31 st level, 40 to 300V AC / DC	
MFM391	2110	Digital Multifunction Meter with LED display Power and Power Factor	

Note: * UL variant available # MID variant available



Price list 2026-27 (w.e.f. April 06th, 2026)

ENERGY METERS



Special OEM Applications



Energy Monitoring Systems



Energy Meters
[Single & Three Phase]



EM4M



EM2M

DIRECT MEASURING ENERGY METER

- Energy Standard - Class 1.0 as per IEC 62053-21
- Direct measuring up to 100A
- Multifunction parameter monitoring (V, A, PF, Hz, W, Wh, VA, VAh, VARh, Max Demand & Import / Export Energy)
- 2 Pulse outputs (1st fixed, 2nd Configurable)
- Protocols available : MODBUS RTU variants
- **CE** **RoHS** compliant MQTT variant (Wi-Fi)

Product Code	Unit MRP	Description	HSN Code
DIRECT MEASURING ENERGY METER			
EM2M-1P-C-63A <i>New</i>	3223	1Ø Direct 63A kWh meter, Self powered, 184 to 276V AC with RS485 communication	90303390
EM2M-1P-C-100A #	3792	1Ø Direct 100A kWh meter, Self powered, 184 to 276V AC with RS485 communication	
EM2M-1P-W-100A <i>New</i>	5123	1Ø Direct 100A kWh meter, Self powered, 184 to 276V AC with built-in Wi-Fi, MQTT protocol	
EMAC4M-3P-C-100A <i>New</i>	7651	3Ø Direct 100A kWh meter, Self-powered, 85 to 285V AC (L-N), 154 to 494V AC (L-L) with RS485 communication	
EM4M-3P-C-100A #	9364	3Ø Direct 100A kWh meter, Self powered, 85 to 285V AC (L-N), 154 to 494V AC (L-L) with RS485 communication	
EM4M-3P-W-100A <i>New</i>	11827	3Ø Direct 100A kWh meter, 85 to 285V AC (L-N), 154 to 494V AC (L-L) with built-in Wi-Fi, MQTT protocol	



EM306-C



EM369

CT OPERATED ENERGY METER

- Energy Standard - Class 1.0 as per IEC 62053-21
- Bright LED / LCD Displays
- RS485 Communication MODBUS RTU Protocol
- Pulse output (EM368-C-CU, EM306)
- **CE** **RoHS** compliant

AC, UL certified

Product Code	Unit MRP	Description	HSN Code
CT OPERATED ENERGY METER			
EM306-C-CE <i>New</i> (old model EM306-C-D)	3647	3Ø LED kWh meter with 9 Digits display, RS485 communication, 40 to 300V AC / DC	90283010
EM306 <small>Discontinue till stock last</small>	3298	3Ø kWh meter with LED display, 85 to 276V AC	
EM368-C-CU <small>Discontinue till stock last</small>	5892	3Ø kWh meter with LCD display and RS485 communication, 85 to 276V	
EM369-C-D-CE-CL05 <i>New</i>	6368	3Ø LCD kWh meter with 9 Digits, Accuracy class 0.5S, Dual Source and RS485 communication, 40 to 300V AC / DC	
Product Code	Description	HSN Code	HSN Code
ENERGY MANAGEMENT SOFTWARE			
SELCOM	On Request	Front - End Software of Meters of Communication Type (Desktop based)	85238020
COMMUNICATION GATEWAYS			
AC-S2W-01 <i>New</i>	3995	Converter – RS485 to WiFi	84715000
AC-USB-RS485-02	4195	Converter Cable – USB to RS485 (2 wire)	
AC-S2E-02	6504	Converter – RS485 to Ethernet	



DC ENERGY METER **CE** **RoHS** compliant

Product Code	Unit MRP	Description	HSN Code
EMDC2M-1CH-C-1RO <small>Discontinue</small>		Single channel, LED display, 1000V DC & 50mV to 100mV (shunt), Rs485 communication & Relay output	90283090

Note: # MID variant available



Price list 2026-27 (w.e.f. April 06th, 2026)

DIGITAL PANEL METERS



DIGITAL PANEL METER - MULTIFUNCTION SERIES

- True RMS measurement of voltage, current, power, power factor & frequency
- 1Ø & 3Ø measurement available with LCD and LED display
- Models available with Built in CT for 30A and 80A measurement (800A measurement with converter)
- Models available with Plug-N-play RJ45 CT connection
- RS485 MODBUS communication with alarm relay (MX300-1-C-CE)
-

Product Code	Unit MRP	Description	HSN Code
DIGITAL PANEL METER - MULTIFUNCTION SERIES			
MVA591-30A-230V	1331	1Ø VA meter with measurement up to 30A with built in CT, 48 x 48 mm size	90303310
MVA591-80A-230V	1382	1Ø VA meter with measurement up to 80A with built in CT, 48 x 48 mm size	
MX300-1-C-CE	2409	1Ø Multifunction Digital panel meter with 1 alarm relay output and RS485 modbus communication, 96 x 96 mm size	
VAF391	2110	Digital Multifunction Meter with LED displ Power and Power Factoray	
VAF39A	2244	3Ø Digital meter with LED display, Built in RPM / RUN hour measurement, 230V AC, 96 x 96 mm size Old model VAF 39A-1-230V	
VAF39A-1-230		---DO--- but old model new model is VAF39A	
VAF36A-230-CE *	4664	3Ø Digital meter with LCD display, Built in RPM / RUN hour measurement, 230V AC, 96 x 96 mm size	



DIGITAL PANEL METER - VOLTMETER

- Class 0.5 accuracy
- True RMS voltage measurement
- Available in LCD and LED display
- Analog style bar graph model available
- PT programmable (For three phase variant)
-

Product Code	Unit MRP	Description	HSN Code
DIGITAL PANEL METERS- VOLTMETER			
MV15	930	1Ø Digital voltmeter with LED display, 230V AC, 48 x 96 mm size	90303310
MV205		1Ø Digital voltmeter with LED display, 230V AC, 72 x 72 mm size	
MV305		1Ø Digital voltmeter with LED display, 230V AC, 96 x 96 mm size	
MV35-1-G-40/300V-CE <i>New</i>	1128	1Ø Digital voltmeter with LED display, Auxiliary supply of 40 to 300V AC/ DC, 96 x 96mm	
MV507-230V-CE	1980	1Ø Digital voltmeter LCD display, Bar graph representation for voltage, 230VAC, 48x48mm	
MV2307-230V-CE	2181	3Ø Digital voltmeter LCD display, Bar graph representation for voltage, 230VAC, 72x72mm	
MV35-3-G-40/300V-CE <i>New</i>	1635	3Ø Digital voltmeter with LED display, Auxiliary supply of 40 to 300V AC/ DC, 96 x 96 mm size Old model MV 334-230V	
MV334-230V	1635	3Ø Digital voltmeter LED display, 230VAC, 96x96mm new model is MV35-3-G-40/300V-CE	
MV353-40/300V-CE <i>New</i>	1954	3-Line Digital voltmeter with LED display, Auxiliary supply of 40 to 300V AC/ DC, 96 x 96 mm size	



DIGITAL PANEL METER - AMMETER

- Class 0.5 accuracy
- True RMS voltage measurement
- Available in LCD and LED display
- Analog style bar graph model available
- CT programmable
-

Product Code	Unit MRP	Description	HSN Code
DIGITAL PANEL METERS- AMMETER			
MA12	892	1Ø Digital ammeter with LED display, 230V AC, 48 x 96 mm size	90303310
MA202		1Ø Digital ammeter with LED Display, 230V AC, 72 x 72 mm size	
MA302		1Ø Digital ammeter with LED display, 230V AC, 96 x 96 mm size	
MA32-1-G-40/300V-CE <i>New</i>	1128	1Ø Digital ammeter LED display, Auxiliary supply of 40 to 300V AC/ DC, 96x96mm	
MA501-230V-CE	2553	1Ø Digital ammeter LCD display, Bar graph representation for current, 230V AC, 48x48mm	
MA12-20A-AC	1516	1Ø Digital ammeter with LED display, 20A direct input, 230V AC, 48 x 96 mm size	
MA2301-230V-CE	2275	3Ø Digital ammeter LCD display, Bar graph representation for current, 230V AC, 72x72mm	
MA32-3-G-40/300V-CE <i>New</i>	1849	3Ø Digital ammeter with LED display, Auxiliary supply of 40 to 300V AC/ DC, 96 x 96 mm size Old model MA 335-230V	
MA335-230VAC	1849	3Ø Digital ammeter LED display, 230V AC, 96x96mm new model is MA32-3-G-40/300V-CE	
MA323-40/300V-CE <i>New</i>	2170	3-Line Digital ammeter with LED display, Auxiliary supply of 40 to 300V AC/ DC, 96 x 96 mm size	

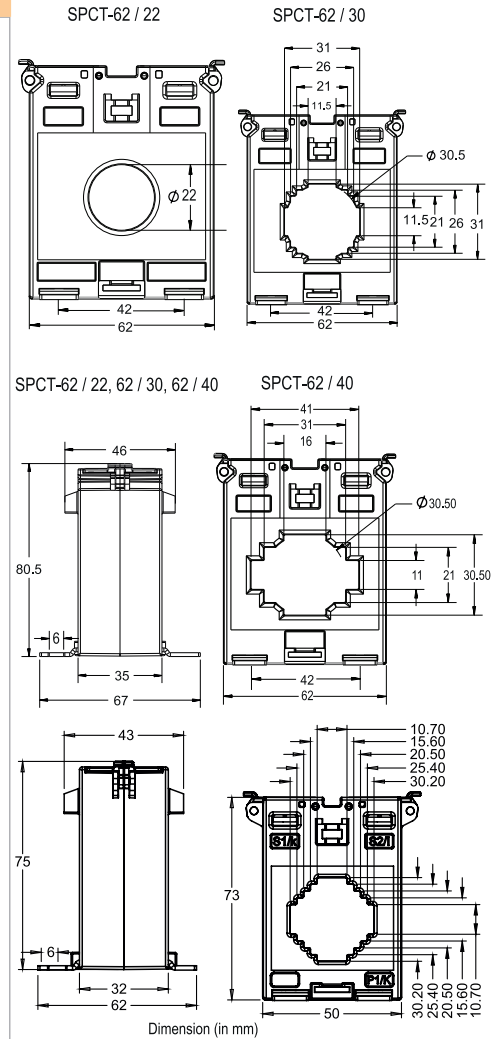
Price list 2026-27 (w.e.f. April 06th, 2026)



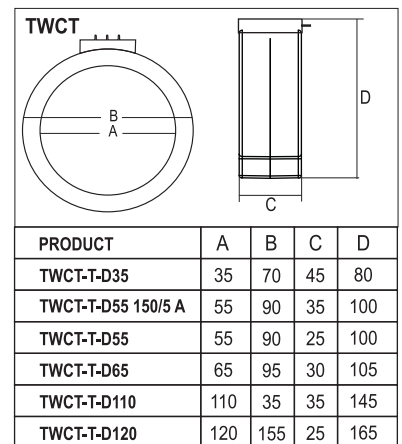
CURRENT TRANSFORMER-SQUARE TYPE

- Available range: 30A - 4000A
- ASTA, CE and UL certified
- Applicable with bus bar aperture upto 100mm
- Panel mount / Din rail mount (Requires additional accessory)
- CE RoHS

Product Code	Unit MRP	Description	HSN Code
CURRENT TRANSFORMER - SQUARE TYPE			SPCT
SPCT-50/30-60/5A-VA1-CL5 CE	469	Bus bar CT with 60/5A, OD/ID: 50/30	85043100
SPCT-50/30-75/5A-VA1-CL1 CE	472	Bus bar CT with 75/5A, OD/ID: 50/30	
SPCT-50/30-100/5A-VA1-CL1 CE	478	Bus bar CT with 100/5A, OD/ID: 50/30	
SPCT-50/30-160/5A-VA1.5-CL1-CE	511	Bus bar CT with 160/5A, OD/ID: 50/30	
SPCT-50/30-200/5A-VA3-CL1-CE	518	Bus bar CT with 200/5A, OD/ID: 50/30	
SPCT-62/22-30/5A-VA1-CL5 CE	789	Bus bar CT with 30/5A, OD/ID: 62/22	
SPCT-62/30-50/5A-VA1.5-CL3 CE	714	Bus bar CT with 50/5A, OD/ID: 62/30	
SPCT-62/30-75/5A-VA1-CL3 CE	777	Bus bar CT with 75/5A, OD/ID: 62/30	
SPCT 62/30-100/5A VA1 CL1 CE	755	Bus bar CT with 100/5A, OD/ID: 62/30	
SPCT 62 /40-100/5A VA1 CL1 CE	569	Bus bar CT with 100/5A, OD/ID: 62/40	
SPCT 62/40-150/5A VA1.5 CL1 CE	616	Bus bar CT with 150/5A, OD/ID: 62/40	
SPCT 62/40-200/5A VA2.5 CL0.5 CE	614	Bus bar CT with 200/5A, OD/ID: 62/40	
SPCT 62/40-250/5A VA2.5 CL0.5 CE	663	Bus bar CT with 250/5A, OD/ID: 62/40	
SPCT 62/40-300/5A VA3 CL0.5 CE	664	Bus bar CT with 300/5A, OD/ID: 62/40	
SPCT 62/40-400/5A VA3.75 CL0.5 CE	719	Bus bar CT with 400/5A, OD/ID: 62/40	
SPCT 100/60-500/5A VA5 CL1 CE	1310	Bus bar CT with 500/5, OD/ID: 100/60	
SPCT 100/60-600/5A VA5 CL 0.5 CE	1332	Bus bar CT with 600/5, OD/ID: 100/60	
SPCT 100/60-800/5A VA 10 CL 0.5 CE	1515	Bus bar CT with 800/5, OD/ID: 100/60	
SPCT 100/60-1000/5A VA15 CL 0.5 CE	1766	Bus bar CT with 800/5, OD/ID: 100/60	
SPCT 100/60-1200/5A VA15 CL 0.5 CE	1990	Bus bar CT with 800/5, OD/ID: 100/60	
SPCT 140/100-1500/5A VA15 CL 0.5 CE	2201	Bus bar CT with 1500/5, OD/ID: 140/100	
SPCT 140/100-2000/5A VA15 CL 0.5 CE	2590	Bus bar CT with 2000/5, OD/ID: 140/100	
SPCT 140/100-2500/5A VA15 CL 0.5 CE	2848	Bus bar CT with 2500/5, OD/ID: 140/100	
SPCT 140/100-3000/5A VA15 CL 0.5 CE	3192	Bus bar CT with 3000/5, OD/ID: 140/100	
SPCT 140/100-3500/5A VA15 CL 0.5 CE	3080	Bus bar CT with 3500/5, OD/ID: 140/100	
SPCT 140/100-4000/5A VA15 CL 0.5 CE	3417	Bus bar CT with 4000/5, OD/ID: 140/100	
AC-SPCT-DRAIL-01	900	Accessory-Din Rail mounting plate for Busbar CT, Qty 10 no's	39269099
CURRENT TRANSFORMER - TAPE WOUND CT			TWCT
TWCT-T-D35-30/5A-VA1.5-CL5	805	Tape wound CT with 30/5A, Inner diameter - 35mm	85043100
TWCT-T-D35-50/5A-VA5-CL5	794	Tape wound CT with 60/5A, Inner diameter - 35mm	
TWCT-T-D35-75/5A-VA5-CL5	805	Tape wound CT with 75/5A, Inner diameter - 35mm	
TWCT-T-D35-100/5A-VA5-CL1	950	Tape wound CT with 100/5A, Inner diameter - 35mm	
TWCT-T-D55-150/5A-VA5-CL1	659	Tape wound CT with 150/5A, Inner diameter - 55mm	
TWCT-T-D55-200/5A-VA5-CL1	663	Tape wound CT with 200/5A, Inner diameter - 55mm	
TWCT-T-D55-250/5A-VA5-CL1	695	Tape wound CT with 250/5A, Inner diameter - 55mm	
TWCT-T-D55-300/5A-VA5-CL1	768	Tape wound CT with 300/5A, Inner diameter - 55mm	
TWCT-T-D55-400/5A-VA5-CL1	853	Tape wound CT with 400/5A, Inner diameter - 55mm	
TWCT-T-D65-500/5A-VA5-CL1	816	Tape wound CT with 500/5A, Inner diameter - 65mm	
TWCT-T-D65-600/5A-VA5-CL1	838	Tape wound CT with 600/5A, Inner diameter - 65mm	
TWCT-T-D110-800/5A-VA10-CL0.5	1222	Tape wound CT with 800/5A, Inner diameter - 110mm	
TWCT-T-D120-1000/5A-VA10-CL0.5	1302	Tape wound CT with 1000/5A, Inner diameter - 120mm	
TWCT-T-D120-1200/5A-VA10-CL0.5	1449	Tape wound CT with 1200/5A, Inner diameter - 120mm	
TWCT-T-D120-1600/5A-VA10-CL0.5	1803	Tape wound CT with 1600/5A, Inner diameter - 120mm	



- Available range: 30A - 1600A
- Rated Burden: 1.5 /5/10VA
- Accuracy: Class 0.5 to 5



Price list 2026-27 (w.e.f. April 06th, 2026)

AUTOMATIC POWER FACTOR CONTROLLERS

High Penalties due to Poor Power Factor

Fluctuating Load

High Harmonics

Unbalanced Loads

Inefficiency of Machineries

Power Quality Issues

Production Loss



SOLUTION

AUTOMATIC POWER FACTOR CONTROLLERS

- Single CT and 3 CT variants available
- Available with four quadrant power factor controller
- Automatic sensing of capacitor bank values
- programmable up to 1 to 8/12 stages
- Variant available with no programming & built-in VAF meter
- Variant available for RS485 MODBUS communication
- CE RoHS

Product Code	Unit MRP	Description	HSN Code
AUTOMATIC POWER FACTOR CONTROLLER			
APFC347-108-230V	6621	Power factor controller with 1CT, 8 Stage, LED Display, 85 to 270V AC, 96 x 96 mm size	90328910
APFC346-108-230V-CE		Power factor controller with 1CT, 8 Stage, LCD Display, 85 to 270V AC, 96 x 96 mm size	
APFC147-108-90/550V	8870	Power factor controller with 1CT, 8 Stage, LED Display, 90 to 550V AC, 144 x 144 mm size	
APFC146-112-90/550V-CE	9105	Power factor controller with 1CT, 12 Stage, LCD Display, 90 to 550V AC, 144 x 144 mm size	
APFC147-112-90/550V	10222	Power factor controller with 1CT, 12 Stage, LED Display, 90 to 550V AC, 144 x 144 mm size	
APFC148-312-90/550V-CE	14402	Power factor controller with 3CT, 12 Stage, LCD Display, 90 to 550V AC, 144 x 144 mm size	
APFC148-T-312-C-90/550V-CE		Power factor controller with 3CT, 12 Stage Transistor output, LCD Display, 90 to 550V AC, 144 x 144 mm size	



THYRISTOR SWITCHING MODULE

New



- No switching noise
- +24VDC as trigger input
- Adaptive control to suit high harmonics
- Compact design
- LED indicators
- Naturally cooled design upto 50kVar
- No auxiliary voltage required upto 50kVar

Product Code	Unit MRP	Description	HSN Code
THYRISTOR SWITCHING MODULE			
TSM-2200-10	On Request	TSM, PIV of 2200V, 10 kVar	85413010
TSM-2200-25	On Request	TSM, PIV of 2200V, 25 kVar	
TSM-2200-50	On Request	TSM, PIV of 2200V, 50 kVar	
TSM-2200-100	On Request	TSM, PIV of 2200V, 100 kVar	

Price list 2026-27 (w.e.f. April 06th, 2026)

LINE MONITORING SERIES



Distribution Panels



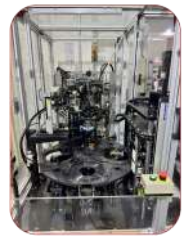
Cutting Applications



Escalators



Elevator



Machines

Applications

New



600DVR

VPRD2M

VPRD-2

900VPR

600VPR

VPRA2M

LINE MONITORING

- 1Ø-2W, 3Ø-3W, 3Ø-4W suitable models
- Wide range of supply range available
- Neutral loss feature in selective model
- On site field programmable trip and alarm relay
- Compact space saving design
- Clear Trip indication on LED and LCD

Product Code	Unit MRP	Description	HSN Code
DIGITAL VOLTAGE PROTECTION RELAY			
600DVR-CE <i>New</i>	2248	3Ø-3W, 3Ø-4W, Under / Over voltage, Phase failure, Phase sequence, Phase asymmetry Under / Over frequency, Neutral Loss, 1 C/O, Self powered	85363000
VPRD-2-280/520V-CE <i>New</i>	2459	3Ø-3W, 3Ø-4W, Under / Over voltage, Phase failure, Phase sequence, Phase asymmetry Under / Over frequency, 2 x 1 C/O, Self-powered	
VPRD2M-BL-CE	2540	Digital, 1Ø-2W, 3Ø-4W, Under / Over voltage, Phase failure, Phase sequence, Phase asymmetry, Under / Over frequency, With Backlight, 2 C/O DPDT	
900VPR-2-280/600V-CE	2730	3Ø-3W, 3Ø-4W, Under / Over voltage, Phase failure, Phase sequence, Phase asymmetry Under / Over frequency, Neutral loss, 2 x 1 C/O, Self powered	
900VPR-BL-U-CE	4787	3Ø-3W, 3Ø-4W, Under / Over voltage, Phase failure, Phase sequence, Phase asymmetry, Under / Over frequency, Neutral loss, 2 x 1C/O, 85 to 270V AC / DC	
ANALOG VOLTAGE PROTECTION RELAY			
600VPR-1-130/320-CE <i>New</i>	1695	1Ø-2W, Under / Over voltage, Phase failure, Phase sequence, 1C/O	85363000
600VPR-310/520-CE	2162	3Ø-3W, Under / Over voltage, Phase failure, Phase sequence, 1C/O	
800VPR-3 <small>Discontinue till stock last</small>	1392	3Ø-3W, Under / Over voltage, Phase failure, Phase sequence, 1 C/O	
VPRA2M-CE	1939	Analog, 1Ø-2W, 3Ø-4W, Under / Over voltage, Phase failure, Phase sequence, Phase asymmetry, 2 C/O DPDT	
PHASE SEQUENCE RELAY			
800PSR	911	3Ø-3W, Phase failure, Phase sequence, Phase asymmetry, 1 C/O, 22.5mm size	85363000
642PSR	1668	3Ø-3W, Phase failure, Phase sequence, Phase asymmetry, DIN rail & Wall mount, 1 C/O, 17.5mm	
640PSR-CE <i>New</i>	1112	3Ø-3W Phase Failure Relay with Phase asymmetry of 40V. Multiple LED for Fault indication, 17.5mm Din Rail	
640PSR-V-CE <i>New</i>	1175	3Ø-3W Phase Failure Relay with Phase asymmetry of 40V / 65V selectable, SPP / PSR selectable, Time delay for tripping, UV / OV -On/Off selectable, Multiple LED for Fault indication, 17.5mm Din Rail	
600PSR-CE	1439	3Ø-3W, Phase failure, Phase sequence, Phase asymmetry, 1 C/O, 17.5mm size	
SINGLE PHASE PREVENTER			
640SPP-CE	1112	3Ø-3W, Phase failure, Phase asymmetry, 1 C/O	85363000
SPPA2M2	1734	3Ø-3W, Under / Over voltage, Phase failure, Phase asymmetry, 2 C/O DPDT	



800PSR

642PSR

640PSR

640PSR-V

600PSR

640SPP

SPPA2M2



Pump & Motor Control



Agricultural Applications



Power Control Panels



Food Processing Industry

Note: * UL variant available

Price list 2026-27 (w.e.f. April 06th, 2026)

CURRENT & EARTH MONITORING SERIES



CURRENT PROTECTION RELAY

- Definite time tripping
- Wide tripping range (1 to 999A)
- Continuous monitoring of Over and Under current in 1 phase and 3 phase
- Wide supply range of supply: 85 to 270V AC/DC
- Field programmable trip current and trip time through front panel keys
- Manual test & Reset Keys available via Front / Remote

Product Code	Unit MRP	Description	HSN Code
CURRENT PROTECTION RELAY			
CPRA2M-CE	2492	1Ø, Analog over current protection from 10% to 100% of CT secondary, 5A max allowed CT secondary, 2CO relay, Adjustable trip time :- 0.5 sec to 15 Sec	85363000
900CPR-3-1-BL-230V-CE	2838	1Ø & 3Ø, Backlight, Over / Under current monitoring, Current asymmetry, 1 C/O, 230V AC Old Model 900CPR-3-230	
900CPR-1-1-BL-230V-CE	2316	1Ø, Backlight, Over / Under current monitoring, 1 C/O, 230V AC Old Model 900CPR-1-230	
900CPR-1-230	2954	1Ø, Over / Under current monitoring, 1 C/O, 230V AC new model is 900CPR-1-1-BL-230V-CE	
900CPR-1-BL-U-CE	4013	1Ø, Backlight, Over / Under current monitoring, 2 x 1 C/O, 85 to 270V AC / DC	

EARTH LEAKAGE RELAY

- Type AC leakage current measurement from 30 mA to 30 A
- Highly sensitive CBCT using Nanocrystalline core
- High Sensitivity - tripping within 50 msec for 1X current and 30msec for 5X current
- Discrete LED indication for Power ON, Alarm and Fault
- Fixed variant for leakage current measurement is also available



Product Code	Unit MRP	Description	HSN Code
EARTH LEAKAGE RELAY			
ELRA2M2-1-230V	2295	Analog earth leakage relay, Leakage current range: 30mA to 30A , 1 C/O, 230V AC	85363000
ELRA2M2-1-230V-CE	2868	Analog earth leakage relay, Leakage current range: 30mA to 30A , 1 C/O, 230V AC, CE	
900ELR-2-230V-CE	4778	Digital earth leakage relay, Leakage Current range: 30mA to 30A, 2 x 1 C/O, 230V AC	
ELR-341-1	3377	Panel Mount ELR, Leakage Current range: 30mA to 30A, 85 to 270 V AC/DC	
ELCTR35-1-300mA-230V	1827	Earth leakage relay with inbuilt CBCT, Leakage current fixed: 300mA, 1 C/O, 230V AC	
EARTH LEAKAGE RELAY ACCESSORIES			
CBCT-35-1-CE	1013	Core balance current transformer with Dia 35mm	85364900
CBCT-70-1-CE	1477	Core balance current transformer with Dia 70mm	
CBCT-120-1-CE	3266	Core balance current transformer with Dia 120mm	
CBCT-210-1-CE	5711	Core balance current transformer with Dia 210mm	
CBCT-310-1-CE	9759	Core balance current transformer with Dia 310mm	



EARTH FAULT RELAY

- Continuous monitoring of fault current in 1 phase and 3 phase
- Wide supply range of supply: 85 to 270V AC/DC
- Field programmable trip current and trip time through front panel keys
- Manual test & Reset Keys available via Front / Remote
- Programmable Trip and Alarm relay
- Specialized current transformer with class 1 accuracy
- Works with standard 5A CT (Only for EFR-341-2-CE)

Product Code	Unit MRP	Description	HSN Code
EARTH FAULT RELAY			
900EFR-BL-U-CE	4568	Digital Din Rail mount earth fault relay, 2 x 1 C/O, 85 to 270V AC / DC	85363000
EFR-341-2-CE <i>New</i>	3377	Digital Panel mount earth fault relay, 2 x 2 C/O, 85 to 270V AC / DC	
EARTH FAULT RELAY ACCESSORIES			
EFCT 100/25 160/1A VA1 CL1	1125	Earth fault current transformer 160A, Window Size: 100x25 mm	85043100
EFCT 140/35 160/1A VA1 CL1	1568	Earth fault current transformer 160A, Window Size: 140x 35 mm	
EFCT 140/35 250/1A VA1 CL1	1803	Earth fault current transformer 250A, Window Size: 140x35 mm	
EFCT 180/35 250 /1A VA1 CL1	1774	Earth fault current transformer 250A, Window Size: 180x 35 mm	
EFCT 180/35 630 /1A VA1 CL1	2367	Earth fault current transformer 630A Window Size: 180x35 mm	
EFCT 220/50 630 /1A VA1 CL1	2400	Earth fault current transformer 630A, Window Size: 220x50 mm	

Note: * UL variant available

Price list 2026-27 (w.e.f. April 06th, 2026)

MOTOR & PUMP PROTECTION RELAYS

MOTOR PROTECTION RELAY

- Smart and Intelligent motor protection with continuous fault monitoring & control
- Monitors Overload as per International tripping class 5, 10, 15, 20, 30 (NEMA)
- Specialized Current transformer for 3 phase applications
- Relays self-diagnostics improves on site troubleshooting
- Panel Mount / DIN Rail variants available
- Direct measurement of temperature in the stator winding via PTC Sensor



Product Code	Unit MRP	Description	HSN Code
MOTOR PROTECTION RELAY			
MPR-341-2	3260	Digital panel mount motor protection relay, 2 x 1C/O, 85 to 270V AC / DC	85363000
MPR-342-2-CE <i>New</i>	3377	Digital panel mount motor protection relay with VAF Measurement, 2 x 1C/O, 100 to 270V AC / DC, RS485 Communication.	
THERMISTOR PROTECTION RELAY			
TPRA2M1-1-U-CE <i>Discontinue till stock last</i>	2434	Thermistor protection relay for motor winding protection, 2 C/O, 90 to 270V AC / DC	85363000



PUMP PROTECTION RELAY

- Smart and Intelligent device with fault monitoring and control
- Monitors Overload as per International tripping class 5, 10, 15, 20, 30 (NEMA)
- Specialized Current transformer for 3 phase applications
- Voltage protection (OV, UV, Hysteresis, Asymmetry)
- Current protection (OC, UC, Locked rotor, Asymmetry)
- Direct current measurement up to 30A in 1 Phase products
- Built in Water level controller available in selective variant
- Two tank water level monitoring with specially designed non corrosive sensor

Product Code	Unit MRP	Description	HSN Code
PUMP PROTECTION RELAY			
PPRA-4M-3-415V <i>Discontinue till stock last</i>	2583	3Ø-3W, Analog pump protection relay, Up to 80A via MPCT, 1 C/O, 415V	85363000
PPRD-4M-1-230V	2553	1Ø-2W, Digital Pump Protection relay, Direct 30A	
PPRD-4M-3-415V	2862	3Ø-3W, Digital pump protection relay, Push button type, Up to 80A via MPCT, 1 C/O, 415V	
PPRWD-4M-1 <i>Discontinue till stock last</i>	2822	1Ø-2W, Digital Pump Protection relay with WLC, Direct 30A	
MOTOR & PUMP PROTECTION RELAY ACCESSORIES			
MPCT D15 10A	936	Motor protection current transformer, up to 10A	85043100
MPCT D15 40A	1069	Motor protection current transformer, up to 40A	
MPCT D15 80A	1220	Motor protection current transformer, up to 80A	
LIQUID LEVEL CONTROLLER			
LLCA-2M-1-U-CE <i>New</i>	2033	Single / Dual tank liquid level controller, 1 C/O SPDT, Automatic sensitivity - 0 to 500Kohms, 85 to 270V AC / DC	90328910
WLC Sensor	406	Set of 3 stainless sensor	
WLCA2M-CE	2439	Water level controller, Adjustable sensitivity 1K to 200K Ohm, with sensors	

DIGITAL & ANALOG TIME SWITCH



DIGITAL TIME SWITCH

- Daily / Weekly or Astronomical function
- 30-50 ON-OFF steps
- Relay ratings: 16A / 20A
- Min. setting unit: 1 second
- 10 years battery life

Product Code	Unit MRP	Description	HSN Code
DIGITAL TIME SWITCH			
TS1W1-1-20A-230V	1756	Wall mount - daily / weekly time switch, 1C/O, 230V AC	91070000
TS2M1-1-16A-230V V2	2113	DIN Rail - daily / weekly time switch, 1 C/O, 230V AC	
TS2M1-2-16A-230V-CE	2859	DIN Rail - daily / weekly time switch, Dual Channel, 2 X 1 C/O SPDT, 230V AC	
ATS2M1-1-16A-230V-CE	3034	DIN Rail - astronomical time switch, 1 C/O, 230V AC	



ANALOG TIME SWITCH

- 24 hrs program
- 96 ON-OFF steps
- Min. setting unit: 15 minutes
- Power reserve: 10 hrs

Product Code	Unit MRP	Description	HSN Code
ANALOG TIME SWITCH			
MTS4M-1-16A-230V-CE	2113	DIN Rail / Flush mount - Mechanical daily / weekly time switch, 16A relay, 1 C/O SPDT, 230V AC	91070000

Note: * UL variant available

Price list 2026-27 (w.e.f. April 06th, 2026)

TIME RELAYS

- Single & Multifunction timers available
- Wide setting ranges
- Universal power supply
- Precise time setting
- Panel or DIN rail mount



Product Code	Unit MRP	Description	HSN Code
DIN RAIL TIMERS - 17.5MM			
642SQ-A	981	Timer with On delay / Interval modes, 0sec to 60mins, 1 C/O, 230V AC & 24V DC	85364900
600ST *	1397	Single function timer, 0.1 sec to 3 hr, 1 C/O, 240V AC	
642XA	1437	Timer with On delay / Interval modes, 0sec to 60mins, 1 C/O, 20 to 240V AC & 12 to 240V DC	
640XU	1760	Multi function timer, 0.1 sec to 3 hr, 1 C/O, 20 to 240V AC & 12 to 240V DC	
600XU-A-1-CU	1846	Multi function timer, 0.1 sec to 3 hr, 1 C/O, 20 to 240V AC & 12 to 240V DC, UL certified	
600SD-2-230	1894	Star Delta timer, 3 sec to 60 sec, 2 C/O, 230V AC	
600DT *	2264	Digital multi function timer, 0.1 sec to 999hr, 1 C/O, 20 to 240V AC & 12 to 240V DC	
DIN RAIL TIMERS - 22.5MM			
800S-1-ON-60S-230	904	Single function, 60sec, 1 C/O, 230V AC	85364900
800S-1-ON-60S-415	1264	Single function, 60sec, 1 C/O, 415V AC	
800SQ-A	912	Timer with On delay / Interval modes, 3sec to 60mins, 1 C/O, 230V AC & 24V AC / DC	
800XA	1229	Timer with On delay / Interval modes, 3sec to 60mins, 2 C/O, 20 to 240V AC & 12 to 240V DC	
800XU *	1687	Timer with On delay / Interval modes, 1sec to 30hr, 2 C/O, 20 to 240V AC & 12 to 240V DC	
800SD-2-230	1146	Star Delta timer, Run time: 30 / 60sec, Change over: 50 / 100ms, 2 C/O, 230V AC	
800SD-2-415	1371	Star Delta timer, Run time: 30 / 60sec, Change over: 50 / 100ms, 2 C/O, 230 to 450V AC	
800XC *	1855	Asymmetrical cyclic timer, 1sec to 10hr, 2 C/O, 20 to 240V AC & 12 to 240V DC	
800XMR	2573	Forward - pause - reverse timer, On time: 1 to 8min Pause time: 10 to 80sec 2 C/O, 20 to 240V AC & 12 to 240V DC	
800POD-180S	4528	True power off delay timer, 180sec, 2 C/O, 110 to 240V AC	
800SX-80ms	1097	Timer with On delay 80ms ±20ms SPDT/10Amp., 20 to 240V AC & 12 to 240V DC	

600XU	A - ON delay, B - Interval, C - Repeat cycle equal OFF first, Ci - Repeat cycle equal ON first, D - Pulse output 500ms fixed, E - Delay on break, F - Delay on make / Delay on break H - Interval after break, I - Single shot, J - Retriggerable single shot, K - Latching relay, Ai - Delay on break with Totalise, Bi - Interval with Totalise
600DT	A - ON delay, B - Interval, C - Asymmetrical cyclic OFF first, D - Asymmetrical cyclic ON first, E - Repeat cycle equal OFF first, F - Repeat cycle equal ON first, H - Pulse output, J - Delay on break K - Delay on make/Delay on break, L - Interval after break, P - Single shot, Q - Retriggerable single shot, R - Latching relay, T - Delay on break with totalise, U - Interval with totalise

ANALOG PANEL MOUNT TIMERS 48x48MM			
55ES-T-230V-G	1082	Panel mount timer with On delay / Interval modes, 3sec to 60min, 1 C/O, 230V AC & 24V AC / DC	85364900
55ES-P8-230V-G	1216	Plug in timer with On delay / Interval modes, 3sec to 60min, 1 C/O, 230V AC & 24V AC / DC	
55Q(V1.1)-T8-230	1527	Panel mounted On Delay / Interval Timer, 0sec to 60min, 230V AC	
55Q(V1.1)-P8-230	1520	Plug in timer with On Delay / Interval Timer, 0sec to 60min, 230V AC	
55XU-T-G *	2114	Panel monut timer with On delay/Interval modes, 1sec~10hr, 2C/O, 20~240V AC & 12~240V DC	
55XU-P8-G **	1899	Plug in timer with On delay/Interval modes, 1sec~10hr, 2C/O, 20~240V AC & 12~240V DC	
55MF-P8 <i>New</i>		8Pin Output, Plug in multifunction timer, 0.05sec to 300hr, 2 X 1 C/O SPDT, 20-240V AC/ DC	
55XC-T-G *	2186	Panel mount timer with cyclic function, 1sec to 10hr, 2 C/O, 20 to 240V AC & 12 to 240V DC	
55XC-P8-G *	2006	Plug in timer with cyclic function, 1sec to 10hr, 2 C/O, 20 to 240V AC & 12 to 240V DC	



55XU-P8 # Can be replaced by 55MF-P8	55MF-P8	A - ON delay, B - Pulse output with instantaneous limit, C - ON delay instantaneous limit, D - Interval with instantaneous limit, E - Cyclic equal OFF first, F - Cyclic equal OFF first with instantaneous limit, G - Cyclic equal ON first, H - Cyclic equal ON first with instantaneous limit, I - Star delta with 50ms pause time, J - Star delta with 100ms pause time
	55MF-P11	A - Signal ON delay, B - Interval, C - Cyclic Equal OFF first, D - Cyclic Equal ON first, E - Signal OFF delay, F - Signal ON / OFF delay, G - Interval after break H - Single shot, I - Retriggerable single shot, J - Delay on make/Delay on break

Note: * UL variant available

Price list 2026-27 (w.e.f. April 06th, 2026)

DIGITAL TIMERS

MULTIFUNCTION TIMER

- Thumbwheel setting • Single & Dual set points • Multi-range
- Universal power supply • Gate/ Pulse start selectable



XT543A XT543-N DXT541 XT546BX XT546 DXT53 XT56 XT56-N XT5042

Product Code	Unit MRP	Description	HSN Code
Multifunction Timers 48x48			
XT543A	2616	3 Digit Single white display, Multiple function and time ranges, 2 C/O SPDT relay output, Single set point, 48 x 48mm, 90 to 270V AC/DC Supply	90328990
XT543-N		3 Digit Single LED display Thumb-wheel timer, Multiple function and time ranges, 2 C/O SPDT relay output, 48 x 48mm, 90 to 270V AC/DC supply	
XT546A	2914	3 Digit dual LED display Multi function timer, Multiple time range, 2 C/O SPDT relay output, Up-Down counting, 48 x 48mm, Short depth, 85 to 270V AC/DC supply	
XT546BX		3 Digit dual LED display Multi function timer, Multiple time range, 2 C/O SPDT relay output, Up-Down counting, 48 x 48mm, Short depth, 85 to 270V AC/DC supply	
XT546	3040	3 Digit dual LED display Multi function timer, Multiple time range, 2 C/O SPDT relay output, Down counting, 48 x 48mm, 85 to 270V AC/DC supply	
XT546-24V	4562	3 Digit dual LED display M+E379:G391ulti function timer, Multiple time range, 2 C/O SPDT relay output, 48 x 48mm, 24V DC supply	
DXT53	2142	3 Digit Single red display Thumb-wheel timer, On delay/ Interval mode, Multiple time range, 2 C/O SPDT relay output, 48 x 48mm, 90 to 270V AC/DC Supply	
XT56A	3126	3 Digit Single white display Thumb-wheel timer, On delay/ Interval mode, Multiple time range, 2 C/O SPDT relay output, 48 x 48mm, 90 to 270V AC/DC	
XT56-N		3 Digit Single LED display Thumb-wheel timer, On delay/ Interval mode, Multiple time range, 2 C/O SPDT relay output, 48 x 48mm, 90 to 270V AC/DC	
XT56N-24	4609	3 Digit single display Thumb-wheel timer with On delay / Interval modes, Multiple time ranges, 2 C/O SPDT relay output, 48 x 48mm, 24V DC Supply	
XT5042	5634	4 Digit dual LED display Multi function multi range timer, 2 C/O SPST relay output, 48 x 48mm, 90 to 270V AC/DC Supply	
XT5042-24	6567	4 Digit dual LED display Multi function multi range timer, 2 C/O SPST relay output, 48 x 48mm, 24V DC Supply	



DXT241 XT246A XT246 DXT23 XT264A XT264-3

Product Code	Unit MRP	Description	HSN Code
Multifunction Timers 72x72			
DXT241	2278	3 Digit (White+Green) dual display, Multi function timer with Multiple time range, 2 C/O SPDT relay output, UP / Down counting, 72 x 72mm, 90 to 270V AC/DC	91069000
XT246A	2914	3 Digit (White+Green) dual display, Multi function timer with Multiple time range, 2 C/O SPDT relay output, UP / Down counting, 72 x 72mm, 90 to 270V AC/DC	
XT246		3 Digit dual LED display Multi function timer, Multiple time range, 2 C/O SPDT relay output, Down counting, 72 x 72mm, 85 to 270V AC/DC supply	
XT246-24V	4182	Digit dual LED display Multi function timer, Multiple time range, 2 C/O SPDT relay output, 72 x 72mm, 24V DC supply	
DXT23	2142	7+1/2 Digit LCD display Time/ Count totalizer, battery powered, Voltage/Contact input, front/remote reset, 24 x 48mm	
XT264A	2957	3 Digit Single white display Thumb-wheel timer, On delay/ Interval mode, Multiple time range, 2 C/O SPDT relay output, 72 x 72mm, 90 to 270V AC/DC supply	
XT264-3	3105	Thumbwheel timer with On delay / Interval modes, 0.01sec to 99.9hr, 2 C/O, 90 to 270V AC/DC	

Product Code	Unit MRP	Description	HSN Code
Multifunction Timers 96 x 96			
XT346A	3071	3 Digit (White+Green) dual LED display Multi function timer, Multiple time range, 2 C/O SPDT relay output, Down counting, 96 x 96mm, 85 to 270V AC/DC Supply	91069000
XT346		3 Digit dual LED display Multi function timer, Multiple time range, 2 C/O SPDT relay output, Down counting, 96 x 96mm, 85 to 270V AC/DC supply	
XT364A	3331	3 Digit Single white display Thumb-wheel timer, On delay/ Interval mode, Multiple time range, 2 C/O SPDT relay output, 96 x 96mm, 90 to 270V AC/DC Supply	
XT364-3		3 Digit Single LED display Thumb-wheel timer, On delay/ Interval mode, Multiple time range, 2 C/O SPDT relay output, 96 x 96mm, 90 to 270V AC/DC	

Note: * UL variant available

Price list 2026-27 (w.e.f. April 06th, 2026)

TEMPERATURE CONTROLLER - CX SERIES

- TC/RTD inputs • Relay/SSR outputs • Optional alarm output • Universal Supply voltage
- Bright Single/ Dual display • Different standard sizes



Product Code	Unit MRP	Description	HSN Code
TEMPERATURE CONTROLLER - CX SERIES			
TC513CX	2239	3-Digit single White display, Single set point, Temperature controller with Relay / SSR output, 48 x 48mm size, 90 to 270V AC / DC	90328990
TC544C	3086	4-Digit dual bright (White+Green) display, Dual set point, Short depth temperature-controller with Relay / SSR & Relay output, 48 x 48mm size, 90 to 270V AC / DC	
TC544C-2 *	3770	4-Digit dual bright (White+Green) display, Dual set point, Short depth temperature-controller with Relay / SSR & Relay output, 48 x 48mm size, 12 to 24V DC	
TC203CX <i>New</i>	2805	3-Digit single White display, Single set point, Temperature controller with Relay / SSR output, IDM applicable, 72 x 72mm size, 90 to 270V AC / DC	
TC293-CT	3030	3 Digits (White+Green+Red) LED display, Temperature controller with TC sensor and Single phase current input, with 1 control relay + SSR, 1 alarm relay output and 2 alarm relay outputs, 72 x 72mm size, 90 to 270V AC/DC, 0-60A, CE certified	
TC244CX <i>New</i>	3705	4-Digit dual (White+Green) display, Dual set point, Temperature controller with Relay / SSR & Relay output, IDM applicable, 72 x 72mm size, 90 to 270V AC / DC	
TC303CX <i>New</i>	2805	3-Digit single White display, Single set point, Temperature controller with Relay / SSR output, IDM applicable, 96 x 96mm size, 90 to 270V AC / DC	
TC344CX <i>New</i>	3892	4-Digit dual (White+Green) display, Dual set point, Temperature controller with Relay / SSR & Relay output, IDM applicable, 96 x 96mm size, 90 to 270V AC / DC	

TEMPERATURE CONTROLLER

- TC/RTD inputs • Relay/SSR outputs • Optional alarm output • Bright Single/ Dual display • Different standard sizes
- Universal Supply voltage



Product Code	Unit MRP	Description	HSN Code
TEMPERATURE CONTROLLER			
DTC503-TC	1737	3-Digit single red display, Low cost temperature controller with J, K input, Relay / SSR output, 48 x 48mm size, 90 to 270V AC / DC Supply	90328990
DTC503-RTD	1795	3-Digit single red display, Low cost temperature controller with RTD PT100 input, Relay / SSR output, 48 x 48mm size, 90 to 270V AC / DC Supply.	
TC513BX	2240	3-Digit single Red display, Single set point, Short depth temperature controller with Relay / SSR output, 48 x 48mm size, 90 to 270V	
TC513AX	2606	3-Digit single Red display, Single set point, Temperature controller with Relay / SSR output, 48 x 48mm size, 90 to 270V AC / DC	
TC513AX-24	3962	3-Digit single Red display, Single set point, Temperature controller with Relay / SSR output, 48 x 48mm size, 24 AC / DC	
TC533BX	2646	3-digit dual (Red+Green) display, Single set point, Short depth temperature-controller with Relay / SSR output, 48 x 48mm size, 90 to 270V AC / DC	
TC533AX	3014	3-Digit dual (Red+Green) display, Single set point, Temperature controller with Relay / SSR output, 48 x 48mm size, 90 to 270V AC / DC	
DTC524	2518	4-Digit dual bright (Red+Green) display, Dual set point, Short depth temperature controller with Relay / SSR & Relay output, 48x48 mm Size, 90 to 270V AC / DC Supply	
TC544B	3027	4-Digit dual (Red+Green) display, Dual set point, Short depth temperature controller with Relay / SSR & Relay output, 48 x 48mm size, 90 to 270V AC / DC	
TC544A *	3605	4-Digit dual (Red+Green) display, Dual set point, Temperature controller with Relay / SSR & Relay output, 48 x 48mm size, 90 to 270V AC / DC	
TC544A-24V (12~24VDC)	4774	4-Digit dual (Red+Green) display, Dual set point, Temperature controller with Relay / SSR & Relay output, 48 x 48mm size, 24V DC	
DTC231-TC	1795	3-Digit single red display, Low cost temperature controller with J, K input, Relay / SSR output, 72 x 72mm size, 90 to 270V AC / DC Supply	
DTC231-RTD	1795	3-Digit single red display, Low cost temperature controller with RTD PT100 input, Relay / SSR output, 72 x 72mm size, 90 to 270V AC / DC Supply.	
TC203AX	2805	3-Digit single Red display, Single set point, Temperature controller with Relay / SSR output, 72 x 72mm size, 90 to 270V AC / DC	
TC233AX-24	4754	3-Digit dual (Red+Green) display, Single set point, Temperature controller with Relay / SSR output, 72 x 72mm size, 24V AC / DC	
TC244AX-24	4836	4-Digit dual (Red+Green) display, Single set point, Temperature controller with Relay / SSR output, 72 x 72mm size, 24V AC / DC	
DTC224	2605	4-Digit dual (Red+Green) display, Dual set point, Temperature controller with Relay / SSR & Relay output, 72x72 mm size, 90 to 270V AC / DC Supply	

Note: * UL variant available

Price list 2026-27 (w.e.f. April 06th, 2026)



TC244AX

DTC331

TC303

DTC324A-2

TC344AX

Product Code	Unit MRP	Description	HSN Code
TC244AX	3705	4-Digit dual (Red+Green) display, Dual set point, Temperature controller with Relay / SSR & Relay output, 72 x 72mm size, 90 to 270V AC / DC	90328990
DTC331*	2027	3-Digit single Red display, Low cost temperature controller with J, K input, Relay output, 96 x 96 mm size, 90 to 270V AC / DC	
DTC331-TC	1795	3-Digit single red display, Low cost temperature controller with J, K input, Relay / SSR output, 96 x 96mm size, 90 to 270V AC / DC Supply	
DTC331-RTD	eco	3-Digit single red display, Low cost temperature controller with RTD PT100 input, Relay / SSR output, 96 x 96mm size, 90 to 270V AC / DC Supply.	
TC303A	2431	3-Digit single Red display, Single set point, Temperature controller with Relay output, 96 x 96mm size, 90 to 270V AC / DC	
TC303AX	2805	3-Digit single Red display, Single set point, Temperature controller with Relay with NC contact / SSR output, 96 x 96mm size, 90 to 270V AC / DC	
DTC324 (old model DTC324A-2)	2605	4-Digit dual (Red+Green) display, Dual set point, Temperature controller with Relay / SSR & Relay output, 96X96 mm size, 90 to 270V AC / DC Supply	
TC344AX	3892	4-Digit dual (Red+Green) display, Dual set point, Temperature controller with Relay / SSR & Relay output, 96 x 96mm size, 90 to 270V AC / DC	

COOLING CONTROLLER



CH403

CH403B

CH403C

- Single LED Display
- Relay control output
- NTC input
- ON-OFF control
- compact size
- Auxiliary Relay/SSR output
- IDM, DI, Defrost management available



Product Code	Unit MRP	Description	HSN Code
COOLING CONTROLLER			
CH403-1-NTC	1924	3 Digits Red display cooling controller with NTC input and Relay & SSR output, 36 x 72mm size, 90 to 270V AC/DC	90328990
CH403-2-NTC	2193	3 Digits Red display cooling controller with NTC input and 20A Relay output, 36 x 72mm size, 90 to 270V AC/DC	
CH403-3-NTC	3033	3 Digits Red display cooling controller with NTC input and Relay + Relay output, 36 x 72mm size, 90 to 270V AC/DC	
CH403-1-NTC-24V	3033	3 Digits Red display cooling controller with NTC input and Relay & SSR output, 36X72 mm size, 24VDC	
CH403B-1-NTC	1442	2 ½ Digits White display cooling controller with NTC input and 10A Relay output, 36 x 72mm size, 230V AC supply voltage	
CH403B-2-NTC	1629	2 ½ Digits white display cooling controller with NTC input and 20A (LUG type) Relay output, 36 x 72mm size, 230V AC supply voltage	
CH403B-3-NTC	2131	2 ½ Digits white display cooling controller with NTC input and 20A SPST Relay output + 5A auxiliary relay output, 36 x 72mm size, 230V AC supply voltage	
CH403C-1-NTC V2	1943	3-Digits White display cooling controller with NTC input and 10A Relay output, 12V SSR auxiliary Output, DI, 36 x 72mm size, 230V AC supply voltage, CE Certified	
CH403C-2-NTC	2193	3-Digits White display cooling controller with NTC input and 20A (LUG type) Relay output, DI, 36 x 72mm size, 230V AC supply voltage, CE Certified	
TSP04	666	NTC Probe Sensor	

HUMIDITY & TEMPERATURE CONTROLLER

- Rh sensor input (Humidity) • PT100 sensor (Temperature) • ON-OFF control (Humidity)
- ON-OFF/ PID control (Temperature) • 90 to 270 V AC / DC supply • Rh sensor enclosed with the unit



HC404

HC205

HS-A-100

HTC405

HTC206

HTC307

Product Code	Unit MRP	Description	HSN Code
HUMIDITY CONTROLLER			
HC404 <i>New</i>	4596	3 digit white LED white display Humidity controller with Rh sensor input and Relay control output, Alarm relay output, 36 x 72mm size, 90 to 270VAC / DC, CE Certified	90328910
HC205 <i>New</i>	5101	4 digit white LED white dual display Humidity controller with Rh sensor input and Relay control output, Alarm relay output, 72 x 72mm size, 90 to 270V AC / DC, CE Certified	
HUMIDITY+TEMPERATURE CONTROLLER			
HTC405 <i>New</i>	4756	3 digit white LED display Humidity+Temperature controller with Rh sensor and PT100 input and 2 X Relay control output, 36 x 72mm size, 90 to 270V AC / DC, CE Certified	90328910
HTC206 <i>New</i>	5297	4 digit (White+Green) LED display Humidity+Temperature controller with Rh sensor & PT100 input and 2 X Relay control output, 72 x 72mm size, 90 to 270V AC / DC, CE Certified	
HTC307	8692	4+4-digit (white+ Green LED) Humidity & Temp. controller, Capacitive touch keypad, Rh sensor and PT100 input, 2 x Relay control output, 2 x alarm output, RS485 , 96X96 mm, 90-270VAC/DC, CE	
ACCESSORIES			
HS-A-100 <i>New</i>	1636	Humidity probe sensor	90328910

Price list 2026-27 (w.e.f. April 06th, 2026)

PID & TEMPERATURE CONTROLLER SERIES



UNIVERSAL PID CONTROLLER

- Adaptive tune, Short Depth
- Universal Input
- Universal Output
- RS485 Communication
- Up to 128 steps Profile Control
- IDM



Product Code	Unit MRP	Description	HSN Code
UNIVERSAL PID CONTROLLERS			
PID500-U-0-1 <i>New</i>	5588	4-Digit (White+Green) Dual display, Capacitive touch keypad with Universal input, Universal output, 90 to 270V AC/DC supply voltage, 48 x 48mm size, Ramp-soak Function, IDM	90328990
PID500-U-C-1 <i>New</i>	6312	4-Digit (White+Green) Dual display, Capacitive touch keypad with Universal input, Universal output, RS485 MODBUS communication, 90 to 270V AC/DC supply voltage, 48 x 48mm size, Ramp-soak Function, IDM	
PID535P-C-1 <i>New</i>	12100	4-Digit (White+Orange) Dual display, 0.1% Measure & Control Accuracy, Capacitive touch keypad with Universal input, Universal output, 48 x 48mm size, Profile control, 24V DC Sensor Supply RS485 MODBUS communication IDM, 90 to 270V AC/DC Supply	
PID110-U-0-1 <i>New</i>	6036	4-Digit (White+Green) Dual display, Capacitive touch keypad with Universal input, Universal output, 48 x 96mm size, Profile control, Ramp-soak Function, IDM, 90 to 270V AC/DC Supply	
PID110-U-C-1 <i>New</i>	6643	4-Digit (White+Green) Dual display, Capacitive touch keypad with Universal input, Universal output, RS485 MODBUS communication, 48 x 96mm size, Profile control, Ramp-soak Function, IDM, 90 to 270V AC/DC Supply	
PID330-U-0-1 <i>New</i>	6322	4-Digit (White+Green) Dual display, Capacitive touch keypad with Universal input, Universal output, 96 x 96mm size, Profile control, Ramp-soak Function, IDM, 90 to 270V AC/DC Supply	
PID330-U-C-1 <i>New</i>	7071	4-Digit (White+Green) Dual display, Capacitive touch keypad with Universal input, Universal output, RS485 MODBUS communication, 96 x 96mm size, Profile control, Ramp-soak Function, IDM, 90 to 270V AC/DC supply voltage.	



PID CONTROLLER

- 4-Digit dual LED display
- Universal input
- Max. 3 setpoints
- Retransmission output
- Relay / SSR / Analog output
- RS485 MODBUS RTU communication protocol
- One step Ramp-Soak function
- Different Standard sizes

Product Code	Unit MRP	Description	HSN Code	
PID CONTROLLERS				
PID500-T-2-0-00	Discontinue till stock last	4454	4-Digit dual (Red+Green) display PID controller with TC / RTD input and 4-20mA analog output + 1 relay output, 48 x 48mm size, 90 to 270V AC / DC	90328990
PID500-T-0-0-01	Discontinue till stock last	3892	4-Digit dual (Red+Green) display PID controller with TC / RTD input and 3 relay outputs, 48 x 48mm size, 90 to 270V AC / DC	
PID500-T-1-0-01	Discontinue till stock last		4-Digit dual (Red+Green) display PID controller with TC / RTD Input and SSR output + 2 relay outputs, 48 x 48mm size, 90 to 270V AC / DC	
PID500-1-0-01	Discontinue till stock last	6401	4-Digit dual (Red+Green) display PID controller with Universal Input and SSR output + 2 relay outputs, 48 x 48mm size, 90 to 270V AC / DC	
PID500-0-0-01		4601	4-Digit dual (Red+Green) display PID controller with Universal Input and 3 relay outputs, 48 x 48mm size, 90 to 270V AC / DC	
PID500-0-0-04		6154	4-Digit dual (Red+Green) display PID controller with Universal Input and 3 relay outputs + RS485 communication, 48 x 48mm size, 90 to 270V AC / DC	
PID500-2-0-01		5506	4-Digit dual (Red+Green) display PID controller with Universal Input and 4-20mA analog output + 2 relay outputs, 48 x 48mm size, 90 to 270V AC / DC	
PID500-2-0-04		7302	4-Digit dual (Red+Green) display PID controller with Universal Input and 4-20mA analog output + 2 relay outputs + RS485 communication, 48 x 48mm size, 90 to 270V AC / DC	
PID500-3-0-00	Discontinue till stock last	7021	4-Digit dual (Red+Green) display PID controller with Universal Input and 0-10VDC analog output + 1 relay output, 48 x 48mm size, 90 to 270V AC / DC	
PID500-3-0-04	Discontinue till stock last	8338	4-Digit dual (Red+Green) display PID controller with Universal Input and 0-10VDC analog output + 2 relay outputs + RS485 communication, 48x48 mm size, 90 to 270V AC / DC	
PID110-0-0-01	Discontinue till stock last	5521	4-Digit dual (Red+Green) display PID controller with Universal Input and 3 relay outputs, 96 x 48mm size, 90 to 270V AC / DC	
PID110-2-0-04	Discontinue till stock last	7697	4-Digit dual (Red+Green) display PID controller with Universal Input and 4-20mA analog output + 2 relay outputs + RS485 communication, 96 x 48mm size, 90 to 270V AC / DC	
PID330-0-0-01		5344	4-Digit dual (Red+Green) display PID controller with Universal Input and 3 relay outputs, 96 x 96mm size, 90 to 270V AC / DC	
PID330-0-0-04	Discontinue till stock last	7783	4-Digit dual (Red+Green) display PID controller with Universal Input and 3 relay outputs + RS485 communication, 96 x 96mm size, 90 to 270V AC / DC	
PID330-2-0-01		6222	4-Digit (Red+Green) dual display PID controller with Universal Input and 4-20mA analog output + 2 relay outputs, 96 x 96mm size, 90 to 270V AC / DC	
PID330-2-0-04		6638	4-Digit dual (Red+Green) display PID controller with Universal Input and 4-20mA analog output + 2 relay outputs + RS485 communication, 96 x 96mm size, 90 to 270V AC / DC	
PID528-1		5572	4-Digit dual (Red+Green) display PID controller with 2 relay outputs, 48 x 48mm size, 90 to 270V AC / DC	
PR502-2-0-0	Discontinue till stock last	10736	4-Digit dual (Red+Green) display Profile controller with 160 ramp soak steps, 4-20mA analog output, 48 x 48mm size, 90 to 270V AC / DC	

Price list 2026-27 (w.e.f. April 06th, 2026)

PROCESS INDICATOR

- 4-Digit LED single display • Universal / Voltage-Current / TC-RTD input • Optional Retransmission analog Output • Inbuilt 24V DC Sensor supply
- Alarm output (Optional) • RS485 MODBUS RTU communication protocol (Optional)



PIC501



PIC101B



PIC101



PIC111



PIC152

Product Code	Unit MRP	Description	HSN Code
PROCESS INDICATOR			
PIC501A-VI-230	2038	4 Digit LED display Process indicator with Voltage & Current input, 48 x 48mm, 230V AC Supply	90303390
PIC101B-VI	1915	4 Digit single white display, process indicator with Voltage & Current input, 48 x 96mm, 85 to 270V AC/DC Supply	
PIC101A-VI-230		4 Digit LED display Process indicator with Voltage & Current input, 48 x 96mm, 230V AC Supply	
PIC101B-VI-24	2316	4 Digit single white display, process indicator with Voltage & Current input, 48 x 96mm, 24VDC Supply	
PIC101A-T-230	2186	4 Digit LED display Process indicator with TC & RTD input, 48 x 96mm, 230V AC Supply	
PIC101-N *	3111	4 Digit LED display Process indicator with universal input & inbuilt 24V DC sensor supply, 48 x 96mm, 90 to 270V AC / DC Supply	
PIC101-N-24	4351	4 Digit LED display Process indicator with universal input & inbuilt 24V DC sensor supply, 48 x 96mm, 24V DC Supply	
PIC152A-VI	5789	4 Digit LED display Process indicator with universal input & retransmission output, 2x5A alarm relay output, 48 x 96mm, 90 to 270V AC / DC Supply	
PIC152A-VI-24V	7321	4 Digit LED display Process indicator with universal input & retransmission output, 2x5A alarm relay output, 48 x 96mm, 24V DC Supply	
PIC152A-VI-C	Discontinue till stock last 10015	Process indicator, universal input, retransmission output & RS485, 90 to 270V AC / DC	
PIC152A-VI-C-24V	Discontinue till stock last 9933	Process indicator, universal input, retransmission output & RS485 communication, 24 VDC	



PIC352



PIC153P

PRECISION PROCESS INDICATOR

- 24 bit low drift ADC universal input
- Universal input , 2 x Alarm relay output
- Retransmission analog output
- RS485 MODBUS communication
- 90 to 270V AC / DC Supply voltage



Product Code	Unit MRP	Description	HSN Code
PRECISION PROCESS INDICATOR			
PIC153P-C-1	11000	5-Digit single white display, 0.1% Accuracy, 2 digital input, 2 alarm output, Retransmission output, with Universal input, 96 x 48 mm size, 24V DC Sensor Supply	90303390
PIC352-11-U-0-1*		Discontinue till stock last	Dual LCD display with graphical representation, 24 bit low drift ADC universal input, Universal input, 2 x Alarm relay output, Retransmission analog output, 24V inbuilt sensor supply, 4 Digital inputs, IDM applicable, Red, green, white backlight indication

New



SOLID STATE RELAY

- Control input voltage: 4 to 32V DC
- Load output voltage: 24 to 330V AC / 48 to 480V AC
- Max. load current: 25/ 40A variants
- Output device: TRIAC , SCR's

Product Code	Unit MRP	Description	HSN Code
SOLID STATE RELAY			
RSS-TD1A140ZP <i>New</i>	Discontinue till stock last 787	DC to AC solid state relay, 4-32V DC input voltage, TRIAC Switching 24-330V AC load output voltage, 40A load output current, Resistive load	85364900
RSS-TA1A140ZP <i>New</i>	Discontinue till stock last 756	AC to AC solid state relay, 90-280V AC input voltage, TRIAC Switching 24-330V AC load output voltage, 40A load output current, Resistive load	
RSS-TD1A240ZPL <i>New</i>	Discontinue till stock last 836	DC to AC solid state relay, 4-32V DC input voltage, TRIAC Switching 48-480V AC load output voltage, 40A load output current, Resistive + Capacitive load	
RDA25	447	Solid state relay with 4-32V DC control input and 24-480V AC output, 25A maximum load current	
RDA40	510	Solid state relay with 4-32V DC control input and 24-480V AC output, 40A maximum load current	
RDA50	879	Solid state relay with 4-32V DC control input and 24-480V AC output, 50A maximum load current	
RAA25	456	Solid state relay with 90-280V AC control input and 24-480V AC output, 25A maximum load current	
RAA40	535	Solid state relay with 90-280V AC control input and 24-480V AC output, 40A maximum load current	

Price list 2026-27 (w.e.f. April 06th, 2026)

DIGITAL TIMERS & COUNTERS

TIME INTERVAL METERS

- Hour meters • Auto ranging • Selectable least count • Universal power supply / Battery powered



LTC9A



TT412B



TI103C



PT380



Product Code	Unit MRP	Description	HSN Code
Hour Meter / Time Interval Meters			
LTC9A	1290	7+1/2 LCD display, remote re-set, Time / Count totaliser with contact/ voltage input selectable, battery powered, 24x48	91069000
LT945A-V-CE	1496	7+1/2 LCD display, Hour meter with voltage input, battery powered, 48x48mm, CE certified	
TT412B	3192	6 digit LED Hour meter, Multiple time range, 90~270V AC/DC, 36x72	
TI103C	8971	4 Digit LED Time interval meter, with auto fixed time range, 90~270VAC/DC	
PT380	9980	2 + 4 Digit LED display multi functional sequential timer with 8 Channel output, multiple time ranges, 96 x 96mm, 85 to 270V AC/DC supply	85364900

TOTALISERS

- Count totaliser • Selectable voltage/ contact input • Battery powered/ Universal power supply • Inbuilt sensor supply



XC410B



XC410C



XC10



XC10D



XTC4102

Product Code	Unit MRP	Description	HSN Code	
TOTALISERS				
XC410B	2365	6 Digit LED Display Counter with 20Hz/5 KHz input speed, 36 x 72mm, 90 to 270V AC/DC supply	90291090	
XC410C		6 Digit LED Display Counter with 20Hz/5 KHz input speed, 36 x 72mm, 90 to 270V AC/DC supply		
XC10 <i>New</i> (low depth)	3149	6 Digit LED Display Counter with 3 Hz/30Hz/1KHz input speed, 48 x 96mm, 90 to 270V AC/DC supply		
XC10D		6 Digit LED Display Counter with 3 Hz/30Hz/1KHz input speed, 48 x 96mm, 90 to 270V AC/DC supply		
XTC4102-CU	3186	6 Digit white LED display Time + Count Totalizer, 36 x 72mm, Contact/voltage input, 90 to 270V AC/DC supply		85364900
XTC4102-2-CE	3823	6 Digit white LED display Time + Count Totalizer, 36 x 72mm, Contact/voltage input, 12 to 24V DC supply, CE Certified		

PROGRAMMABLE/ PRESET COUNTER

- Thumbwheel setting • Auto reset & memory retention functions • Dual setpoint, Batch counting
- Rate indicators • Programmable input scaling



XTC562



XTC5400



XC2200



XTC262



XC1200



XC200NX



XC22B V2



XC22B-4-AR-M1

Product Code	Unit MRP	Description	HSN Code
PROGRAMMABLE/ PRESET COUNTER			
XTC562	4492	6 Digit dual(White+Orange) display, user configurable Timer/ Counter / Rate/ Batch counter, Dual Set Point, Inbuilt Sensor Supply, 48 x 48mm size, 90 to 270 VAC/ DC Supply, CE Certified	90291090
XTC5400 *	5634	4 Digit dual display Multifunctional and Multirange Timer-counter, 2 C/O SPDT relay output, memory retention, 48 x 48mm, 90 to 270V AC/DC	
XTC5400-24	6567	4 Digit dual display Multifunctional and Multirange Timer-counter, 2 C/O SPDT relay output, memory retention, 48 x 48mm, 24V AC/DC	
XC2200	4096	6+4 Digit LED display programmable counter with rate indicator and batch counter multi directional, 2 C/O SPDT relay output, 72 x 72mm, 90-270V AC/DC	
XTC262	4492	6 Digit dual(White+Orange) display, user configurable Timer/ Counter / Rate/ Batch counter, Dual Set Point, Inbuilt Sensor Supply, 72 x 72mm size, 90 to 270 VAC/ DC Supply, CE Certified	
XC1200	7480	6 Digit LED display programmable counter with rate indicator, multi directional counting, 2 C/O SPDT relay output, 48 x 96mm, 90 to 270V AC/DC supply	
XC1200-24	8587	6 Digit LED display programmable counter with rate indicator, multi directional counting, 2 C/O SPDT relay output, 48 x 96mm, 24VDC supply	
XC200NX	9067	Programmable counter with rate indicator, 2 C/O, 90 to 270V AC / DC	
XC22B V2	3805	4 Digit LED display Thumb-Wheel Counter with selectable auto reset and memory retention, 2 SPDT relay output, 72 x 72mm, 90 to 270V AC/DC supply	
XC22B-4-AR-M1-230	6701	Thumbwheel counter with auto reset & memory retention functions, 2 C/O, 230VAC	

Price list 2026-27 (w.e.f. April 06th, 2026)



Rate/RPM Indicators



RC5100



RC100C



RC2100



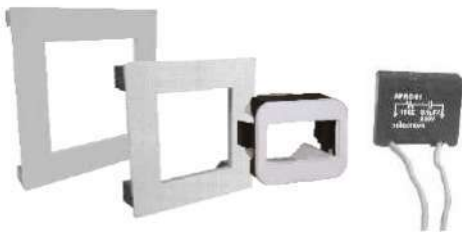
RC2108



RC102C

Product Code	Unit MRP	Description	HSN Code
Rate/RPM Indicators			
RC5100	3113	4 digit RPM indicator 48*48mm	90291090
RC100C	3136	4 digit RPM indicator 48*96mm	
RC2100	3137	4 digit RPM indicator 72*72mm	
RC2108	6344	4 digit RPM scalable indicator with alarm	
RC102C	5870	4 digit RPM indicator with scalable input & Rate	

OTHER ACCESSORIES



Product Code	Unit MRP	Description	HSN Code
ADAPTER PLATES 72 X 48 (FG)	267	Adapter plate 72 x 48mm	39269099
ADAPTER PLATES 96 X 48 (FG)		Adapter plate 96 x 48mm	
ADAPTER PLATES 96 X 72 (FG)		Adapter plate 96 x 72mm	
ADAPTER PLATES 48 X 24 (FG)	174	Adapter plate 48 X 24mm	85363000
SNUBBER	246	Snubber Circuit	

Price list 2026-27 (w.e.f. April 06th, 2026)

POWER SUPPLIES

DIN RAILPOWER SUPPLIES

- Supports 90 - 264 VAC / 127 - 370 VDC
- Active PFC for 240W & 480W models
- Short circuit, Overload & Over Voltage Protection
- Efficiencies up to 93 %
- Inbuilt temperature protection for 60W, 120W, 240W & 480W
- DC Ok Relay contact for 240W & 480W
- Cooling by air convection



RP-2M



RPS15



RPS40



RPS60



RPS120



RPS240



RPS480



LRPS240

	Product Code	Unit MRP	Description	HSN Code
DIN RAIL POWER SUPPLIES				
5VDC	RPS15-05-CE	1604	12W, 5V/2.4A DIN rail mounted Power Supply in Plastic Housing - CE In Process	85044090
	RPS60-05-CE	2397	60W, 05V/10A DIN rail mounted Power Supply in Plastic Housing -CE Certified	
	RPS60-05-CU	3066	50W, 05V/10A DIN rail mounted Power Supply in Plastic Housing - CE & UL Certified	
12VDC	RPS15-12-CE	1679	15W, 12V/1.25A DIN rail mounted Power Supply in Plastic Housing - CE In Process	
	RPS40-12-CE	2326	30W, 12V/2.5A DIN rail mounted Power Supply in Plastic Housing - CE In Process	
	RPS60-12-CE	2397	60W, 12V/5A DIN rail mounted Power Supply in Plastic Housing CE	
	RPS120-12-CE	2778	120W, 12V/10A DIN rail mounted Power Supply in Plastic Housing	
24VDC	RPS240-12-CU	9354	216W, 12V/18A DIN rail mounted Power Supply in Plastic Housing - CE & UL Certified	
	RP-2M-1.1A-24VDC-CE-RoHS	1865	26.4W, 24V/1.1A DIN rail mounted Power Supply in Plastic Housing - CE Certified	
	RPS15-24-CE	1592	15W, 24V/0.625A DIN rail mounted Power Supply in Plastic Housing - CE In Process	
	RPS40-24-CE	2133	40W, 24V/1.6A DIN rail mounted Power Supply in Plastic Housing - CE In Process	
	RPS60-24-CE	2273	60W, 24V/2.5A DIN rail mounted Power Supply in Plastic Housing - CE Certified	
	RPS60-24-CU	2907	60W, 24V/2.5A DIN rail mounted Power Supply in Plastic Housing - CE & UL Certified	
	RPS120-24-CE	2635	120W, 24V/5A DIN rail mounted Power Supply in Plastic Housing - CE Certified	
	RPS120-24-CU	3263	120W, 24V/5A DIN rail mounted Power Supply in Plastic Housing - CE & UL Certified	
	RPS240-24-CE	8062	240W, 24V/10A DIN rail mounted Power Supply in Plastic Housing - CE Certified	
	RPS240-24-CU		240W, 24V/10A DIN rail mounted Power Supply in Plastic Housing - CE & UL Certified	
48VDC	RPS480-24-CE	13195	480W, 24V/20A DIN rail mounted Power Supply in Plastic Housing - CE Certified	
	RPS480-24-CU	13195	480W, 24V/20A DIN rail mounted Power Supply in Plastic Housing - CE & UL Certified	
	LRPS240-24 <i>New</i>	5211	240W, 24V/10A DIN rail mounted Power Supply in Plastic Housing	
	RPS60-48	2397	60W, 48V/1.25A DIN rail mounted Power Supply in Plastic Housing	
	RPS120-48	2778	120W, 48V/2.5A DIN rail mounted Power Supply in Plastic Housing	
	RPS240-48-CE	9354	240W, 48V/5A DIN rail mounted Power Supply in Plastic Housing - CE Certified	
	RPS480-48-CE	15309	480W, 48V/10A DIN rail mounted Power Supply in Plastic Housing - CE Certified	
LRPS240-48 <i>New</i>	6410	240W, 48V/5A DIN rail mounted Power Supply in Plastic Housing		



TPS50



TPS120



PANEL / SURFACE MOUNT POWER SUPPLIES

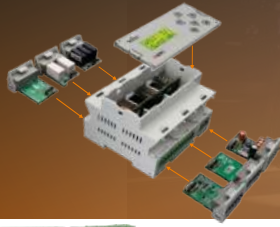
- Compact size and 1U profile
- Universal Input Range
- -40°C to +70°C Operating Temp.
- Protects against Short Circuit Overload, Over Voltage
- Efficiencies up to 89 %
- Accessory



Product Code	Unit MRP	Description	HSN Code
OPEN FRAME POWER SUPPLIES			
TPS50-24 <i>New</i>	1592	50W, 24V/2.2A Surface/Panel mount Power Supply In Metal Casing CE Certified	85044090
TPS120-24 <i>New</i>	1882	120W, 24V/5A Surface/Panel mount Power Supply In Metal Casing CE Certified	
TPS150-24 <i>New</i>	2715	150W, 24V/6.5A Surface/Panel mount Power Supply In Metal Casing CE Certified	
TPS350-24 <i>New</i>	4631	350W, 24V/14.6A Surface/Panel mount Power Supply In Metal Casing CE Certified	
AC-TPS-DRAIL <i>New</i>	95	TPS Accessories for din rail mounting	

Price list 2026-27 (w.e.f. April 06th, 2026)

MiBRX (Micro Modular PLC Series)



MiBRX PLC - RAIL MOUNT

- Modular Display
- 2/4/6 configurable MiBRX IO SLOTS
- Optional MODBUS Master/ expandable
- Optional RTC
- 230VAC/ 24VDC Power Supply



Product Code	Unit MRP	Description	HSN Code
MiBRX SERIES - RAIL MOUNT			
MiBRX-2M-1-0-0-24VAC	4753	MiBRX 2M Base module - 2 Slots, 3DI	85371000
MiBRX-2M-1-0-0-24VDC	4412	MiBRX 2M Base module - 2 Slots, 3DI (incl 1FI)	
MiBRX-4M-1-0-0-230V	7326	MiBRX 4M Base module - 4 Slots, 5DI (incl 1FI, 1AI-V), NTC <small>new model is MiBRX-4M-1-1-1-230V</small>	
MiBRX-4M-1-1-1-230V	7326	MiBRX 4M Base module - 4 Slots, 5DI (incl 1FI, 1AI-V), NTC, RTC, Master	
MiBRX-4M-1-0-0-24VDC	7990	MiBRX 4M Base module - 4 Slots, 5DI (incl 1FI, 1AI-V), NTC <small>new model is MiBRX-4M-1-1-1-24VDC</small>	
MiBRX-4M-1-1-1-24VDC	7990	MiBRX 4M Base module - 4 Slots, 5DI (incl 1FI, 1AI-V), NTC, RTC, Master	
MiBRX-4M-2-1-1-1-24VDC	12020	MiBRX 4M Base module - Isolated 24VDC PS - 4 Slots, 2 DI, MODBUS (Master & Slave), ETHERNET (Master & Slave) & RTC	
MiBRX-6M-1-1-1-230V	12590	MiBRX 6M Base module - 6 Slots, 11DI (incl 1FI, 1AI-V), + 4RO, NTC, RTC, Master	
MiBRX-6M-3-1-1-0-1-24VDC	19366	MiBRX 6M Base module - Isolated 24VDC PS - 6 Slots, 8 DI, Master, ETHERNET (Slave & Master) & RTC	
MiBRX-DSP-2M-0-1-06-A	594	MiBRX Display 2M - Blind, 6 LED	
MiBRX-DSP-2M-7-1-04-A	966	MiBRX Display 2M - 7 seg (4 digit), 6 LED	
MiBRX-DSP-4M-0-1-06-A	839	MiBRX Display 4M - Blind, 6 LED	
MiBRX-DSP-4M-8-2-08-A	1979	MiBRX Display 4M - LCD (8x2)	
MiBRX-DSP-6M-8-2-08-A	2218	MiBRX Display 6M - LCD (8x2)	








MiBRX PLC - PANEL MOUNT

- Modular Display
- 2/6 configurable MiBRX IO SLOTS
- Optional MODBUS Master/ expandable
- Optional RTC
- 230VAC/ 24VDC Power Supply

Product Code	Unit MRP	Description	HSN Code
MiBRX SERIES - PANEL MOUNT			
MiBRX-48-0-0-230V	6034	MiBRX 48x96 Base module - 2 slots, 6DI (incl 1FI, 1AI-V), NTC	85371000
MiBRX-48-0-0-24VDC	6685	MiBRX 48x96 Base module - 2 slots, 7DI (incl 1FI, 2AI-V), 1AI-I, NTC	
MiBRX-72-0-0-24VDC	8481	MiBRX 72x72 Base module - 2 slots, 4DI (incl 1FI, 1AI-V) + 4RO, 1AI-I, NTC <small>new model is MiBRX-72-0-1-24VDC</small>	
MiBRX-72-0-1-24VDC	9026	MiBRX 72x72 Base module - 2 slots, 4DI (incl 1FI, 1AI-V) + 4RO, 1AI-I, NTC, RTC	
MiBRX-72-0-1-230V	6815	MiBRX 72x72 Base module - 2 slots, 4DI (incl 1FI, 1AI-V) + 3RO, NTC, RTC	
MiBRX-96-1-0-24VDC	9474	MiBRX 96x96 Base module - 6 slots, 6DI (incl 1FI, 1AI-V), 1AI-I, NTC, Master <small>new model is MiBRX-96-1-1-24VDC</small>	
MiBRX-96-1-1-24VDC	9474	MiBRX 96x96 Base module - 6 slots, 6DI (incl 1FI, 1AI-V), 1AI-I, NTC, RTC, Master	
MiBRX-96-1-1-230V	8291	MiBRX 96x96 Base module - 6 slots, 4DI (incl 1FI, 1AI-V), NTC, RTC, Master	

MiBRX PLC - ADAPTER PLATES

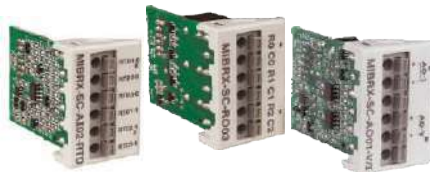
Product Code	Unit MRP	Description	HSN Code
MiBRX-DSP-AP-2M	501	MiBRX 2M Adapter Plate for independent display	85371000
MiBRX-DSP-AP-4M	592	MiBRX 4M Adapter Plate for independent display	
MiBRX-DSP-AP-6M	960	MiBRX 6M Adapter Plate for independent display	

Product Code	Unit MRP	Description	HSN Code
MiBRX-DSP-48-7-2-11-A	2250	MiBRX Display 48x96 - 7 Seg (3+4 & 4 digit), 6 LED, 10 Bar Graph LED	85371000
MiBRX-DSP-48-7-2-14-B	2329	MiBRX Display 48x96 - 7 Seg (8 & 6 digit), 8 LED	
MiBRX-DSP-72-8-2-08-B	2195	MiBRX Display 72x72 - LCD (8x2)	
MiBRX-DSP-72-7-2-10-B	2016	MiBRX Display 72x72 - 7 Seg (6+4 digit), 4 LED	
MiBRX-DSP-96-8-0-00-B	4057	MiBRX Display 96x96 - Customized, 14 & 7 Seg, Bar Graphs, Speedometer	
MiBRX-DSP-96-8-2-16-B	2589	MiBRX Display 96x96 - LCD Text (16x2)	
MiBRX-DSP-96-8-4-16-B	3924	MiBRX Display 96x96 - LCD (16x4)	
PLUGGABLE DISPLAY MODULES		    	

MiBRX PLC - INDEPENDENT DISPLAY

Product Code	Unit MRP	Description	HSN Code
MiBRX-DSP-IND-96-8-0-00-B	4930	MiBRX Independent Display 96x96 - Customized, 14 & 7 Seg, Bar Graphs, Speedometer	85371000
MiBRX-DSP-IND-96-8-2-16-B	4090	MiBRX Independent Display 96x96 - LCD (16x2)	
MiBRX-DSP-IND-96-8-4-16-B	4913	MiBRX Independent Display 96x96 - LCD (16x4)	
MiBRX-DSP-IND-96-8-0-00-C	11815	MiBRX Independent Display 96x96 - 3.5 Inch Graphic Touch	

MiBRXPLC - MINIATURE IO CARD



Product Code	Unit MRP	Description	HSN Code
MiBRX-SC-DI04	393	MiBRX Slot Card - 4 Digital Inputs	85371000
MiBRX-SC-DI04-ISO	895	MiBRX Slot Card - 4 Digital Inputs (Isolated)	
MiBRX-SC-DI06	496	MiBRX Slot Card - 6 Digital Inputs	
MiBRX-SC-DI06-ISO-N	1168	MiBRX Slot Card - 6 Digital Inputs (Isolated PNP / NPN)	
MiBRX-SC-RO03	859	MiBRX Slot Card - 3 Relay Outputs	
MiBRX-SC-RO04	1726	MiBRX Slot Card - 4 Relay Outputs	
MiBRX-SC-RO05	2236	MiBRX Slot Card - 5 Relay Outputs (1.5 A)	
MiBRX-SC-TO04	1018	MiBRX Slot Card - 4 Transistor Outputs	
MiBRX-SC-DI02-RO03	1173	MiBRX Slot Card - 2 Digital Inputs & 3 Relay Outputs	
MiBRX-SC-DI02-TO02	655	MiBRX Slot Card - 2 Digital Inputs & 2 Transistor Outputs	
MiBRX-SC-DI02-AI01-T	806	MiBRX Slot Card - 2 Digital Inputs & 1 Analog Input - TC/RTD	
MiBRX-SC-AI02-V	699	MiBRX Slot Card - 2 Analog Inputs - Voltage	
MiBRX-SC-AI02-V-ISO	4256	MiBRX Slot Card - 2 Analog inputs - Voltage (Isolated)	
MiBRX-SC-AI02-I	679	MiBRX Slot Card - 2 Analog Inputs - Current	
MiBRX-SC-AI02-I-ISO	4281	MiBRX Slot Card - 2 Analog inputs - Current (Isolated)	
MiBRX-SC-AI02-V-I	695	MiBRX Slot Card - 2 Analog Inputs - 1 Voltage & 1 Current	
MiBRX-SC-AI02-TC	983	MiBRX Slot Card - 2 Analog Inputs - Thermocouple	
MiBRX-SC-AI02-TC-ISO	4233	MiBRX Slot Card - 2 Analog inputs - Thermocouple (Isolated)	
MiBRX-SC-AI02-CT-TC-ISO	2717	MiBRX Slot Card - 1 CT Input & 1 Analog Input - TC	
MiBRX-SC-AI03-2TC-1I-ISO	2999	MiBRX Slot Card - 3 Analog Inputs - 2 Thermocouple (Isolated) & 1 Current (Isolated)	
MiBRX-SC-AI02-RTD	967	MiBRX Slot Card - 2 Analog Inputs - RTD	
MiBRX-SC-AI02-RTD-ISO	4283	MiBRX Slot Card - 2 Analog inputs - RTD (Isolated)	
MiBRX-SC-AI02-PT1000	1217	MiBRX Slot Card - 2 Analog Inputs - PT1000	
MiBRX-SC-AI02-PTC	805	MiBRX Slot Card - 2 Analog Inputs - PTC	
MiBRX-SC-AI02-NTC		MiBRX Slot Card - 2 Analog Inputs - NTC	
MiBRX-SC-AO01-V/I	1242	MiBRX Slot Card - 1 Analog Output	
MiBRX-SC-AO02-I-ISO	3647	MiBRX Slot Card - 2 Analog Outputs - Current (Isolated)	

Product Code	Unit MRP	Description	HSN Code
MiBRX-SC-AO02-V-I-ISO	3205	MiBRX Slot Card - 2 Analog Outputs - 1 Voltage & 1 Current (Isolated)	85371000
MiBRX-SC-FI02	1217	MiBRX Slot Card - 2 Fast Inputs (10KHz)	
MiBRX-SC-FO01-TO01	2056	MiBRX Slot Card - 1 Fast Output (10KHz) & 1 Transistor Output <small>new model is MiBRX-SC-FO01-TO02-N</small>	
MiBRX-SC-FO01-TO02-N	2056	MiBRX Slot Card - 1 Fast Output (200KHz) & 2 Transistor Output (NPN)	
MiBRX-SC-LC02	4446	MiBRX Slot Card - 2 Analog Inputs - Load Cell (24 Bit)	
MiBRX-SC-DL	2393	MiBRX Slot Card - Datalogging (2MB) & RTC	
MiBRX-SC-WIFI	3621	MiBRX Slot Card - WIFI	
MiBRX-SC-PD	2534	MiBRX Portable Downloader MiBRX PLC - ACCESSORIES	



STANDARD FUNCTION PRODUCTS

- RTD (PT100) input
- ON - OFF / PID with auto tuning
- High accuracy load sensing
- RS485 Communication

STANDARD FUNCTION PRODUCTS

Product Code	Unit MRP	Description	HSN Code
LC02-72-7-LC02-RO03-AO01-230V	15910	2 Channel loadcell controller with Retransmission	90318000
TC02-2M-7-RTDA02-RO04-24VDC	8071	2 Channel Temperature controller	90258090
TC08-96-8-RTDA08-RO08-230V	19533	8 Channel Temperature scanner cum controller	

FLEXYS SERIES



FLEXYS GT35

- 3.5" Resistive Touch Screen LCD Display
- Flexible IO Card Selection with 3 inbuilt Slots
- RS485 Based Communication with MODBUS RTU & Proprietary Protocol
- Inbuilt RTC Function
- Expandable
- 230VAC/ 24VDC Power Supply

Product Code	Unit MRP	Description	HSN Code
FLEXYS GT35			
FL-GT35-DSP-V2	15906	Flexys Graphic - 3.5" Resistive Touch Screen	85371090
FL-GT35-LG-1-0-1-V2	7987	Flexys Graphic - Logic card - RTC, MODBUS Expansion	
FL-GT35-DI04-PS-230V-CE-RoHS	4678	Flexys Graphic - Power Supply Card - 230VAC, 4 Digital Inputs	85389000
FL-GT35-DI04-PS-24V-CE-RoHS	5073	Flexys Graphic - Power Supply Card - 24VDC, 4 Digital Inputs	



FLEXYS TX4

- 4x16 character LCD Display
- Flexible IO Card Selection with 4 inbuilt Slots
- RS485 Based Communication with MODBUS RTU & Proprietary Protocol
- Inbuilt RTC Function
- Expandable
- 230VAC/ 24VDC Power Supply

Product Code	Unit MRP	Description	HSN Code
FLEXYS TX4			
FL-TX4-LG-1-0-1-V2-CE-RoHS	17560	Flexys Panel TX4 – Logic card – RTC, MODBUS	85371090
FL-TX4-DI04-PS-230V-CE-RoHS	4220	Flexys Panel TX4 – Power Supply Card - 230VAC, 4 Digital Inputs	85389000
FL-TX4-DI04-PS-24V-CE-RoHS	3908	Flexys Panel TX4 – Power Supply Card - 24VDC, 4 Digital Inputs	



FLEXYS RAIL

- Flexible IO Card Selection with 4 inbuilt Slots
- RS485 Based Communication with MODBUS RTU & Proprietary Protocol
- Inbuilt RTC Function
- Expandable
- 230VAC/ 24VDC Power Supply

Product Code	Unit MRP	Description	HSN Code
FLEXYS RAIL			
FL-RL-BS-6-CE-RoHS	3067	Flexys Rail – Base Card	85371090
FL-RL-LG-1-0-1-V2-CE-RoHS	11708	Flexys Rail – Logic Card – RTC, MODBUS	
FL-RL-PS-230V	2897	Flexys Rail – Power Supply Card – 230VAC	85389000
FL-RL-DI04-PS-24V-CE-RoHS	2914	Flexys Rail – Power Supply Card – 24VDC, 4 Digital Inputs	

Price list 2026-27 (w.e.f. April 06th, 2026)



EXPANSION

- Flexys IO card expansion slot
- DIP switches for Slave ID & Baud rate selection
- 24VDC Power Supply
- MODBUS Communication protocol



Product Code	Unit MRP	Description	HSN Code
EXPANSION			
EXP FLEX 2M	3291	Expansion Slot – Flexys IO Cards	85389000
EXP FLEX 2M V3		Independent Remote IO base card	



FLEXYS IO CARDS

- Easy to Plug IN
- Spring type connection terminals
- Different types of DI, DO, AI, AO cards

Product Code	Unit MRP	Description	HSN Code
FLEXYS IO CARDS			
FL-SC-DI10-CE-RoHS	2957	Flexys IO – 10 Digital Inputs Card	85389000
FL-SC-DI14-CE-RoHS	4136	Flexys IO – 14 Digital Inputs Card	
FL-SC-RO08-CE-RoHS	4915	Flexys IO – 8 Channel Relay Output Card	
FL-SC-TO08-CE-RoHS	3005	Flexys IO – 8 Channel Transistor Output Card	
FL-SC-DI04-RO04-CE-RoHS	3958	Flexys IO – 4 Digital Input, 4 Digital Output Card	
FL-SC-AI04-U	6606	Flexys IO – 4 Channel Analog Input Card – Universal (Jumper Selectable)	
FL-SC-AI06-V-CE-RoHS	2313	Flexys IO – 6 Channel Analog Input Card – Voltage	
FL-SC-AI06-I-CE-RoHS	2551	Flexys IO – 6 Channel Analog Input Card – Current	
FL-SC-AI04-RTD-CE-RoHS	4610	Flexys IO – 4 Channel Analog Input Card – RTD (PT-100)	
FL-SC-AI04-TC-CE-RoHS	4424	Flexys IO – 4 Channel Analog Input Card – Thermocouple	
FL-SC-AI03-NTC-AI03-I	3868	Flexys IO – 3 Channel Analog Input – NTC, 3 Channel Analog Input – Current Card	
FL-SC-AO04-V-CE-RoHS	9008	Flexys IO – 4 Channel Analog Output Card – Voltage	
FL-SC-AO04-I-CE-RoHS	9004	Flexys IO – 4 Channel Analog Output Card – Current	
FL-SC-AI03-U-AO02-U	9523	Flexys IO – 3 Channel Analog Input – Universal, 2 Channel Analog Output – Universal Card	
FL-SC-LC04	21821	Flexys IO – 4 Channel Loadcell Input Card	

FIXED IO PLC SERIES



Rail Mount - DIGIX Series

- Fast Input (1 channel 5KHz), Upto 20 I/O
- Configurable 2x8 Character LCD Display
- Configurable Function Keys
- 230VAC/ 24VDC Power Supply
- RS485 Based Communication with MODBUS RTU Protocol

Product Code	Unit MRP	Description	HSN Code
COMPACT PLC - RAIL MOUNT			
DIGIX-1-230V	10679	PLC – 8DI, 5RO & 230VAC	85371090
DIGIX-1-0-0-24VDC	10759	PLC – 8DI, 5RO & 24VDC	
DIGIX-1-0-0-24VDC-B, DIGIX-1-1-1-230V, DIGIX-4-1-1-24VDC, DIGIX-2-1-0-24VDC		Discontinued please consult for the configuration	



COMPACT PLC - PANEL MOUNT

- Fast Input (1 channel 5KHz), Upto 15 I/O
- Configurable 7 Seg LED display
- Configurable Function Keys
- 230VAC / 24VDC Power Supply
- RS485 Based Communication with MODBUS RTU Protocol

Product Code	Unit MRP	Description	HSN Code
COMPACT PLC - PANEL MOUNT			
UNIX-1-230V	7608	PLC – 3DI, 2RO, 2TO, 3AI (1TC/RTD, 1I, 1V/1DI) & 230VAC	85371090
TWIX-1-230V	8422	PLC – 6DI, 4RO, 1AI (TC/RTD) & 230VAC	
TWIX-1-24VDC	9888	PLC – 6DI, 4RO, 1AI (TC/RTD) & 24VDC	
TWIX-2-230V	13836	PLC – 6DI, 5RO, 6AI (2TC/RTD, 2I, 2V/2DI), 1AO(V/I) & 230VAC	
TWIX-2-24V	14586	PLC – 6DI, 5RO, 6AI (2TC/RTD, 2I, 2V/2DI), 1AO(V/I) & 24VDC	
TWIX-3-24VDC	10251	PLC – 8DI, 6DO, 1AI (TC/RTD) & 24VDC	

Price list 2026-27 (w.e.f. April 06th, 2026)



COMPACT PLC - PANEL & RAIL MOUNT

- Configurable LCD Display
- Configurable Function Keys
- 230VAC / 24VDC Power Supply
- RS485 Based Communication with MODBUS RTU Protocol
- Fast Inputs 5-12 Khz

Product Code	Unit MRP	Description	HSN Code
COMPACT PLC - PANEL & RAIL MOUNT			
MM3032-2-0-0-230V V2	15226	PLC – 8DI, 6RO, 2AI (V/I)*, 1AO (0-10V DC) & 230V	85371090
MM3032-2-0-0-24V V2	16710	PLC – 8DI, 6RO, 1AI (V/I)*, 1AI-NTC & 24VDC	
MM3030-4-V2	23366	PLC – 10DI, 8DO, 2AI (V/I)* & 24VDC – RTC, MODBUS Expansion & Fast output	

HMI (Colour Graphics Touch Panels)



HMI - 4.3", 7" & 10"

- TFT Resistive Touch Screen
- Data logging
- User management
- Recipe management
- Alarm management
- Inbuilt RTC, Ladder & Macro Functions
- Inbuilt Buzzer for Alarm conditions
- Inbuilt Third Party PLC protocols
- MODBUS RS485, RS422, RS232, Ethernet & USB2.0 port.
- 24VDC Power Supply



Product Code	Unit MRP	Description	HSN Code
HMI - 4.3 Inch			
SP112-GT40-S1-CE	16809	4.3" HMI without Ethernet, 1 GHz Quad core, 256MB RAM, 256MB Flash, TFT, DB9 COM, Single RS485/422/232, USB Powered	85371090
SP115-GT43-S1	14591	4.3" HMI without Ethernet, 1 GHz, 128MB RAM, 128MB Flash, COM1 - RS232 COM2 - RS485/422 both in 1 DB9	
SP115-GT43-S3	11673	4.3"HMI without Ethernet, 1 GHz, 64MB RAM, 128MB Flash, COM - RS485	
SP112-GT40-ET1-CE	20311	4.3" HMI with Ethernet, 1 GHz Quad core, 256MB RAM, 256MB Flash, TFT, DB9 COM, Single RS485/422/232, USB Powered	
HMI - 7 Inch			
SP112-GT70-S1-CE	18560	7" HMI without Ethernet, 1 GHz Quad core, 256MB RAM, 256MB Flash, TFT, DB9 COM 1/2 - RS485/422/232, Terminal COM 3 - RS485	85371090
SP115-GT70-S1	17509	7" HMI without Ethernet, 1 GHz, 128MB RAM, 128MB Flash, COM1 - RS232 COM2 - RS485/422 both in 1 DB9	
SP115-GT70-S3	13618	7"HMI without Ethernet, 1 GHz, 64MB RAM, 128MB Flash, COM - Rs485	
SP112-GT70-ET1-CE	24998	7" HMI with Ethernet, 1 GHz Quad core, 256MB RAM, 256MB Flash, TFT, DB9 COM 1/2 - RS485/422/232, Terminal COM 3 - RS485	
HMI - 10 Inch			
SP112-GT100-ET1-CE	40232	10.1" HMI with Ethernet, 1 GHz Quad core, 128MB RAM, 256MB Flash, TFT, DB9 COM 1/2 - RS485/422/232, Terminal COM 3 - RS485	85371090
HMI - 15.6 Inch			
SP115-GT156-ET	107000	15.6" HMI with Ethernet, 1 GHz, 256MB RAM, 128MB Flash, COM1 - RS232/RS485/422, COM2 for RS485 all in DB9	85371090

Price list 2026-27 (w.e.f. April 06th, 2026)



RELAY MODULES - RS485 OPERATED

- 18-30VDC Power Supply



Product Code	Unit MRP	Description	HSN Code
RS485 OPERATED			
ERLYMD-2-1-S8-1CO-24V-CE-RoHS	5938	Relay Modules – 8 Channel 1 Change Over, Communication based	85364900



USB TO SERIAL CONVERTER

- USB to Serial (RS232, RS485)
- 1 Meter Length
- Self Powered

Product Code	Unit MRP	Description	HSN Code
USB TO SERIAL			
AC-USB-RS232-01	4400	Converter Cable – USB to RS232 for 3010	84715000
AC-USB-RS485-02	4195	Converter Cable – USB to RS485 (2 wire) for MiBRX/Unix/Twix	
AC-USB-RS485-03		Converter Cable – USB to RS485 (RJ25) for Flexys /Twix1/Digix	



SERIAL TO SERIAL CONVERTER

- Serial RS485 to serial RS232 converter
- Rail Mount
- 90-270VAC Power Supply
- Isolation Between MODBUS RS485 & MODBUS RS232

Product Code	Unit MRP	Description	HSN Code
SERIAL TO SERIAL			
AC-RS485-RS232-ISO	2907	Protocol Converter - RS485 to RS232 With Isolation	84715000



CABLES & ADAPTER

- Standard cable for communication
- Expansion & Networking

Product Code	Unit MRP	Description	HSN Code
AC-IOEXP-03-CE-RoHS	684	Communication Adapter for Rail FL series	85444299
ACH-001-CE-RoHS	861	Communication Cable – 9 Pin D-Type to 9 Pin D-Type	
ACH-002-CE-RoHS	784	Download / Communication Cable – 9 Pin D-Type to RJ25 (6Pin) for SP112-GT40-S-CE	
ACH-003-CE-RoHS	641	Standard Cable – RJ45 to RJ45 (8Pin)	
ACH-004-CE-RoHS	579	Expansion Cable – RJ25 to RJ25 (6Pin) for Rail FL series	



SERIAL TO ETHERNET CONVERTER

- TCP (server, client), MODBUS TCP
- Din Rail mount

Product Code	Unit MRP	Description	HSN Code
SERIAL TO ETHERNET			
AC-S2E-02	6504	Converter – RS485 to Ethernet	84715000

Price list 2026-27 (w.e.f. April 06th, 2026)

New



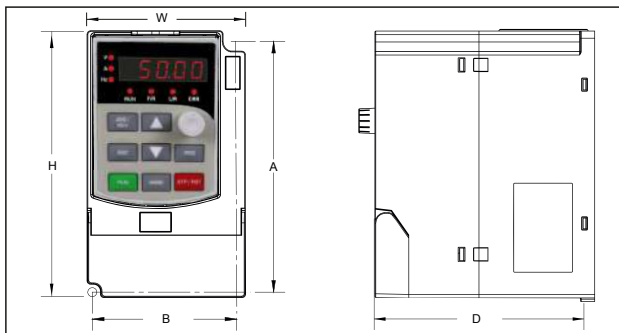
VFD-L & VFD-S SERIES

- V/F Control
- Automatic Voltage Regulation
- 150% Rated Current
- Detachable user interface (Display+Keypad)
- PI Control
- Provides protection against Over Current, Over Voltage, Under Voltage, Overheat, Overload, Under Current
- RS485 Modbus communication

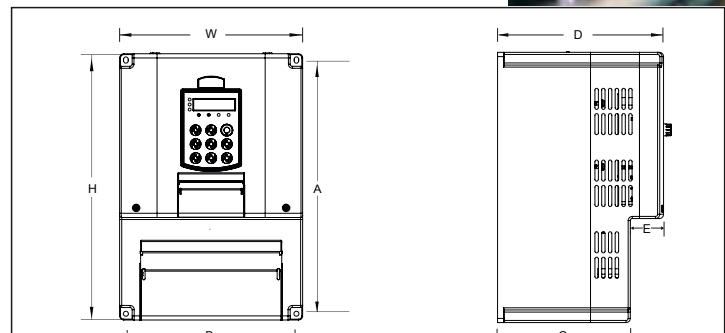
Product Code	Unit MRP	Description	HSN Code
VFD-L & VFD-S SERIES			
VFD-L-1-005-230V	12500	1 PH 230VAC IN, 3 PH 0-230VAC OUT 0.5HP/0.4kW, Compact series (4 DIs, 2AIs, RS485, 1RO, Built In Display)	85044090
VFD-L-1-010-230V	13333	1 PH 230VAC IN, 3 PH 0-230VAC OUT 1HP/0.75kW, Compact series (4 DIs, 2AIs, RS485, 1RO, Built In Display)	
VFD-S-1-005-230V	14333	1 PH 230VAC IN, 3 PH 0-230VAC OUT 0.5HP/0.4kW, General Purpose series (5 DIs, 1AI, POT input, RS485, 1RO, 1 TO, 1AO, Detachable Display)	
VFD-S-1-010-230V	15000	1 PH 230VAC IN, 3 PH 0-230VAC OUT 1HP/0.75kW, General Purpose series (5 DIs, 1AI, POT input, RS485, 1RO, 1 TO, 1AO, Detachable Display)	
VFD-S-1-020-230V	16667	1 PH 230VAC IN, 3 PH 0-230VAC OUT 2HP/1.5kW, General Purpose series (5 DIs, 1AI, POT input, RS485, 1RO, 1 TO, 1AO, Detachable Display)	
VFD-S-3-010-415V	20000	3 PH 415VAC IN, 3 PH 0-415VAC OUT 1HP/0.75kW, General Purpose series (5 DIs, 1AI, POT input, RS485, 1RO, 1 TO, 1AO, Detachable Display)	
VFD-S-3-020-415V	21000	3 PH 415VAC IN, 3 PH 0-415VAC OUT 2HP/1.5kW, General Purpose series (5 DIs, 1AI, POT input, RS485, 1RO, 1 TO, 1AO, Detachable Display)	
VFD-S-3-030-415V	23667	3 PH 415VAC IN, 3 PH 0-415VAC OUT 3HP/2.2kW, General Purpose series (5 DIs, 1AI, POT input, RS485, 1RO, 1 TO, 1AO, Detachable Display)	
VFD-SH-3-050-B-415V <i>New</i>	35333	3 PH 415VAC IN, 3 PH 0-415VAC OUT 5HP/3.7KW. Heavy Duty, (8DI PNP/NPN, 2AI, 2TO, 2RO, 1AO), RS485	
VFD-SH-3-075-B-415V <i>New</i>	38667	3 PH 415VAC IN, 3 PH 0-415VAC OUT 7.5HP/5.5KW. Heavy duty, (8DI PNP/NPN, 2AI, 2TO, 2RO, 1AO), RS485	
VFD-SH-3-100-B-415V <i>New</i>	43333	3 PH 415VAC IN, 3 PH 0-415VAC OUT 10HP/7.5KW. Heavy Duty, (8DI PNP/NPN, 2AI, 2TO, 2RO, 1AO), RS485	
VFD-SH-3-150-B-415V <i>New</i>	62000	3 PH 415VAC IN, 3 PH 0-415VAC OUT 15HP/11KW. Heavy Duty, (8DI PNP/NPN, 2AI, 2TO, 2RO, 1AO), RS485	
VFD-SH-3-200-B-415V <i>New</i>	65333	3 PH 415VAC IN, 3 PH 0-415VAC OUT 20HP/15KW. Heavy duty, (8DI PNP/NPN, 2AI, 2TO, 2RO, 1AO), RS485	



Dimensions



Product Code	Mounting Dimension		Dimension		
	A (mm)	B (mm)	H (mm)	W (mm)	D (mm)
VFD-S-1-005-230V	141	80.5	150	89	123
VFD-S-1-010-230V					
VFD-S-1-020-230V					
VFD-S-3-010-415V					
VFD-S-3-020-415V					
VFD-S-3-030-415V					



Product Code	Mounting Dimension			Dimension			
	A (mm)	B (mm)	C (mm)	H (mm)	W (mm)	D (mm)	E (mm)
VFD-S-3-050-415V	305	205	157	320	220	196.5	39.5
VFD-S-3-075-415V							
VFD-S-3-100-415V							
VFD-S-3-150-415V							
VFD-S-3-200-415V							

Price list 2026-27 (w.e.f. April 06th, 2026)

Discontinued & Alternate codes

Discontinued	Alternate
MFM391	VAF391
MFM284-C-CE	Not available
MVA593-CE	Not available
EM368-C-CU	EM369-C-D-CE-CL05
EM306	EM306-C-CE
EM306-C-D	EM306-C-D-CE / EM306-C-CE
VAF39A-1-230V	VAF39A
MX300-CE	MX300-1-C-CE
MA501-230V-CE	MA501-CU
MVA591-30A-230V	MVA591-30A-230V-CE
MVA591-80A-230V	Not available
MVA591-10A-230V	Not available
MV334-230V	MV35-3-G-40/300V-CE
MA335-230VAC	MA32-3-G-40/300V-CE
Analog meter range	Not available
900VPR-2-300/600V	900VPR-2-280/600V-CE
642PSR	640PSR-CE
640CPR-24V	Not available
600XU-CU	600XU-A-1-CU
642PSR-CE-RoHS	640PSR-CE
800POD-60S	800POD-180S
VPRA-3-500/1000V-CE	Not available
ELRA2M2-1-FS-230V-CE	Not available
800S-1-ON-30S-415	800S-1-ON-60S-415
TS2M1-1-16A-230V-CE	TS2M1-1-16A-230V V2
55Q(V1.1)-P8-230V	55ES-P8-230V-G
800S-1-ON-30S-230	800S-1-ON-60S-230
900ELR-2-110V-CE	Not available
MPR-3M-2-230V	MPR-341-2
Auto switch-313/457V	Not available
55MF-P11	Not available
900CPR-1-230V	900CPR-1-1-BL-230V-CE
AN-8-0-0-230V	Not available
642PSR-310/520V	640PSR-CE
900CPR-3-230V	900CPR-3-1-BL-230V-CE
VERA2M1	Not available
600ELR-1-30/500mA-230V	Not available
800SD-2-110	Not available
800PSR-1	Not available
900VPR-2-280/520V-CE	VPRD-2-280/520V-CE
WLCA-2M-U-CE	LLCA-2M-1-U-CE



Scan QR Code



ICICI Bank



Note: * UL variant available

Price list 2026-27 (w.e.f. April 06th, 2026)



www.parmaindia.com

SELEC®
Creating Best Value

Selec Controls Pvt. Ltd.

H.O. : EL-27/1, Electronic Zone, TTC Industrial Area
MIDC, Mahape, Navi Mumbai 400710, India
For more information visit: www.selec.com

Subsidiaries:

Selec GmbH (Germany)

Selec USA

Selec Australia

Contact Person :

Govind Bora	+91 9810008235
Sanjay Chauhan	+91 9910055335
Shah Azam	+91 9910055336
Hira Singh	+91 9910006382
Pan Singh	+91 9599203276
Manjeet Singh	+91 9910055334
Ashish Lohani	+91 9810338401



PARMA & PARMA (INDIA) PVT. LTD

H.O. : D-91/4, Okhla Industrial Area, Phase-1
New Delhi-110020, India
Tel : +91-11-41919191
Mobile : +91 99997 75253

Sales Office: 1701, Bhagirath Palace
Delhi-110006, India
Tel: +91-11-43044810, 47353922
46025813

E-mail: marketing@parmaindia.com
info@parmaindia.com

Terms & Conditions

- All Prices are in Indian Rupees.
- Maximum Retail Price (MRP) is inclusive of all taxes.
- Product evolution is a continuous process and Selec reserves the right to modify/withdraw any product at any time without prior notice.
- Prices are subject to change without notice.
- Prices charged will be as prevailing on the date of dispatch.
- Delivery: Ex-stock, otherwise 1~12 weeks.
- Govt. levies GST is as per rule during the time of delivery.
- Freight, insurance, packing forwarding extra at actuals as applicable.
- Payment: In case of ex-stock, 100% against proforma invoice. In case of goods against order, 25% advance, balance against proforma invoice.
- Warranty: The equipment is limited warrantied, for one year from the date of invoice against manufacturing defects. The warranty is applicable only if the equipment is used within its electrical environment & other specification. No warranty for physical damaged / burnt out piece. We are not liable for consequential damage.

Bank Details

PARMA & PARMA (INDIA) PVT. LTD.
Bank name: ICICI Bank Ltd.
Account no.: 6292 0550 1155
IFSC: ICIC0006292

PARMA & PARMA (INDIA) PVT. LTD.
Bank name: HDFC Bank Ltd.
Account no.: 0217 232 0000 458
IFSC: HDFC0000217